

Shown w/brushed stainless convex frame/face & firebox lining - Cobalt Blue liquid glass



Contemporary Series

DIRECT VENT GAS FIREPLACES
NICOLLET • DELANO • SLAYTON

Nicollet
Nicollet Specifications 2

Slayton
Slayton Specifications 6

Delano
Delano Specifications 4

Fireplace Options
& Accessories 8

Nicollet Specifications



Shown w/black convex frame/face - H2O liquid glass

Model	Fuel Options	High	Low	Max. Efficiency
Nicollet	NG	12,500	4,500	79.70%
	LP	12,500	4,500	80.50%

The Nicollet comes standard with an electronic ignition pilot system. The included thermostatic remote control will adjust the flame, fan speed & back lighting - fan kit is an optional accessory.

Features

- Canada P-4 approved
- Electronic ignition pilot system - standing pilot option as well
- Ceramic lifetime glass (21" X 14") quick-latch removal
- Remote control - (flame, light & fan adjustment)
- 2-receptacle assembly for wiring
- Black enamel firebox liner
- Light kit bottom
- Engineer-designed burner system
- Minnesota Energy Code Compliant to 50 pascals

Required for Installation*

- Rectangular or convex contemporary frame/face*
Measurements - 21 1/16" w x 33 3/8" h
(black, rust, titanium or brushed stainless)
- Glass media kit (various colors available)

*Door faces offered for the model 'Two Harbors' can also be used

Safety

- Each unit factory tested!
- Tested by PFS Corp.
Complies with ANSI-Z21.88a -2009•CSA 2.33-2009 P.4.1-09
'Vented Gas Fireplace Heaters'
- U.S. & Canadian installation approved
- Sealed combustion chamber
- Removable control board with safety pilot
- Automatic pressure relief glass system
- Bedroom & mobile home approved

Vent System Approval & Requirements

This fireplace is approved for the following vent systems:

- Simpson Dura-Vent™ DV-GS Pipe - 5" x 8"
- Selkirk Metalbestos™ - 5" x 8"
- Ameri-Vent™ - 5" x 8"
- Metal Fab™ - 5" x 8"
- ICC™ - 5" x 8"
- Security™ - 5" x 8"
- RLH™ - 5" x 8"

Elbows: For each additional elbow used after the first 2 elbows, 3' must be subtracted from the maximum venting allowed.

Note: (2) 45° elbows =(1) 90° elbow.

Horizontal Terminations

Minimum: 90° elbow + termination cap **Maximum:** 20'

A horizontal vent heat shield, that is included with the fireplace, must be installed when using a 90° elbow directly off top of fireplace.

IMPORTANT: Kozy Heat part #800-WPT or #800-WPT2,

must be used on ALL horizontal vent runs.

#800-WPT (4½ - 6½" wall thickness)

#800-WPT2 = 6½" - 12½" wall thickness

Vertical Terminations

Minimum: 3' Maximum: 36'

Horizontal / Vertical COMBO:

20' horizontal / 20' vertical*

Please consult the venting chart in the installation manual.

Specifications

Height	31 1/2"
Width	18 1/2"
Back width	5 1/4"
Depth	14 3/8"
Weight	76 lbs.

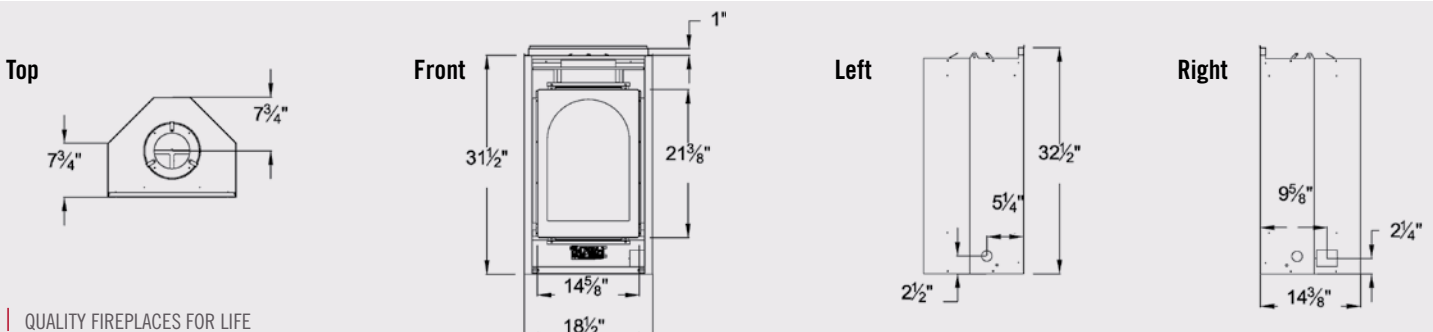
Framing Dimensions

Height	32 5/8"
Width	19 3/4"
Depth	14 7/8"

Clearances

Fireplace face top to framing	1"
Fireplace left & right sides & back	1/2"
From decorative face top (in order to remove face)	1/4"
Fireplace bottom to flooring	0"
Fireplace base to ceiling	52"
Fireplace side stand-offs to adjacent sidewall	0"
Top of fireplace to 3/4" projection	2 1/4"

Mantel must be a minimum of 7 ½" from top of fireplace face. The maximum depth at this height is 12". See additional mantel clearance configurations in the installation manual.





*Shown w/titanium rectangular frame/face -
white frost liquid glass*

The Nicollet...

The *Nicollet* offers the option of elevated viewing in countless imaginative opportunities. A variety of color and design options make the *Nicollet* perfect for a classic or contemporary installation. Accent lighting can be used with the flame on or off, and the ability to adjust the flame with the standard full-function remote puts warmth and style right at your fingertips!

Delano Specifications



Shown w/black convex frame/face - H2O liquid glass & rock media

Model	Fuel Options	High	Low	Max. Efficiency
Delano	NG	26,000	10,000	79.8%
	LP	25,500	8,000	81.18%

The Delano model (Electronic Ignition) comes standard with a decorative black curved firebox lining, remote modulating valve system w/ flame & fan adjustment. (remote control & light kit included)

Features

- Canada P-4 approved
- High quality, quick-latch, lifetime glass (23 $\frac{3}{4}$ " X 30 1/16")
- Black enamel firebox lining (curved design)
- Light kit (bottom)
- Remote control - thermostatic (flame, light & fan adjustment)
- High-low regulator
- Engineer-designed burner system
- Minnesota energy code compliant to 50 pascals

Required for Installation

- Glass media kit (various colors available)
 - Contemporary frame/face (various designs & finishes available)
- Measurements - 39 $\frac{3}{8}$ "w x 33 $\frac{1}{2}$ "h

Safety

- Each unit factory tested!
- Tested by OMNI-Test Laboratories
- Complies with ANSI-Z21.88-2009 • CSA 2.33-2009 "Vented Gas Fireplace Heaters"
- U.S. & Canadian installation approved
- Sealed combustion chamber
- Removable control board with 30-second safety pilot
- Automatic pressure relief glass system
- Battery back-up
- Bedroom & mobile home approved

Vent System Approval & Requirements

This fireplace is manufactured to accept 5" x 8" pipe only.

- Simpson Dura-Vent™ DV-PRO Pipe - 5" x 8"
- Selkirk Metalbestos™ Direct Chimney System - 5" x 8"
- Ameri-Vent™ Direct Chimney System - 5" x 8"
- Metal Fab™ 5" x 8"
- Security™ 5" x 8"
- ICC™ 5" x 8"
- Kozy Heat Flexible #800 series Vent Kits* - 5" x 8"

IMPORTANT: Kozy Heat Part #800-WPT or #800-WPT2, must be used on ALL Horizontal vent runs.

The included Horizontal Vent Heat Shield must be installed when using a 90° elbow to horizontally position the vent system. This includes corner installation.

Elbows: For each additional 90° elbow used after the first elbow, 3' must be subtracted from the maximum venting allowed. For each additional 45° elbow used after the first elbow, 1 $\frac{1}{2}$ ' must be subtracted from the maximum venting allowed.

Note: (2) 45° elbows = (1) 90° elbow.

Horizontal Terminations: Minimum: 6" Maximum: 25"

*30' maximum allowed when using stainless steel pipe

Vertical Terminations: Minimum: 4' Maximum: 40'

Horizontal / Vertical COMBO: 40' = 20' maximum horizontal / 20' maximum vertical (consult the horizontal & vertical combination venting chart in the installation manual)

Specifications

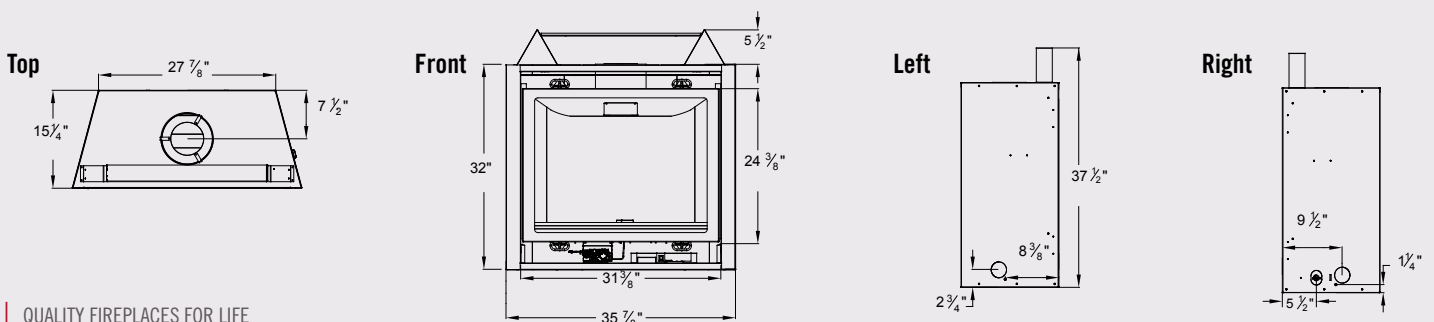
Height	32"
Width	35 7/8"
Back width	27 7/8"
Depth	15 1/4"
Weight	150 lbs.

Framing Dimensions

Height	37 1/2"
Width	36 3/8"
Depth	15 3/4"

Clearances

Fireplace face top to framing	5 1/2"
Fireplace left & right sides & back	1/4"
Fireplace bottom to flooring	0"
Fireplace top to ceiling	31"
Fireplace side to adjacent sidewall	1 1/2"
Mantel 4" deep from top of fireplace	16"
Refer to mantel requirements in the fireplace installation manual.	



Shown w/brushed stainless convex
frame/face - H2O liquid glass



The Delano...

The *Delano* offers a broad angle view with dramatic flame. A reflective curved firebox liner, variety of glass media and design options make the *Delano* a perfect choice for contemporary living.

Slayton Specifications



Shown w/convex frame/face
driftwood logs - H2O liquid glass

Model	Fuel Options	High	Low	Max. Efficiency
Slayton 42	NG	42,000	21,000	75%
	LP	42,000	21,000	75%

The Slayton 42 model (Electronic Ignition) comes standard with a decorative black curved firebox lining, remote modulating valve system w/ flame & fan adjustment. (remote control & light kit included)

Features

- Canada P-4 approved
- Ceramic lifetime glass (17 5/8" X 44 5/16")
- Black enamel firebox lining (curved design)
- Light kit (bottom)
- Remote control - thermostatic (flame, light & fan adjustment)
- High-low regulator
- Engineer-designed burner system
- Minnesota Energy Code Compliant to 50 pascals

Required for Installation

- Glass media kit (various colors available)

Safety

- **Each unit factory tested!**
- Tested by OMNI-Test Laboratories
Complies with ANSI-Z21.88-2009 • CSA 2.33-2009
'Vented Gas Fireplace Heaters'
- U.S. & Canadian installation approved
- Sealed combustion chamber
- Removable control board with 30-second safety pilot
- Automatic pressure relief glass system
- Battery back-up
- Bedroom & mobile home approved

Vent System Approval & Requirements

This fireplace is manufactured to accept 5" x 8" pipe only.

- Simpson Dura-Vent™ DV-PRO pipe - 5" x 8"
- Selkirk Metalbestos™ direct chimney system - 5" x 8"
- Ameri-Vent/American Metal™ direct chimney system - 5" x 8"
- Metal Fab™ 5" x 8"
- Security™ 5" x 8"
- ICC™ 5" x 8"
- Kozy Heat™ flexible #800 series vent kits* - 5" x 8"
- BDM™ direct vent chimney system - 5" x 8"
- RLT™ direct vent chimney system (vertical only) - 5" x 8"

IMPORTANT: Kozy Heat part #800-WPT or #800-WPT2, must be used on ALL horizontal vent runs.

The horizontal heat shield included with this fireplace must be installed when incorporating minimum horizontal venting.

Elbows: For each additional 90° elbow used after the first elbow, 3' must be subtracted from the maximum venting allowed. For each additional 45° elbow used after the first elbow, 1 1/2' must be subtracted from the maximum venting allowed.

Note: (2) 45° elbows = (1) 90° elbow.

Horizontal Terminations: Venting configurations vary between NG & LP Gas, please consult the Slayton 42 installation manual for requirements.

Vertical Terminations: Minimum: 2' Maximum: 50'

Horizontal/Vertical Combo: Venting configurations vary between NG & LP Gas, please consult the Slayton 42 installation manual for requirements.

Framing Dimensions

- Please refer to the Slayton 42 installation manual.

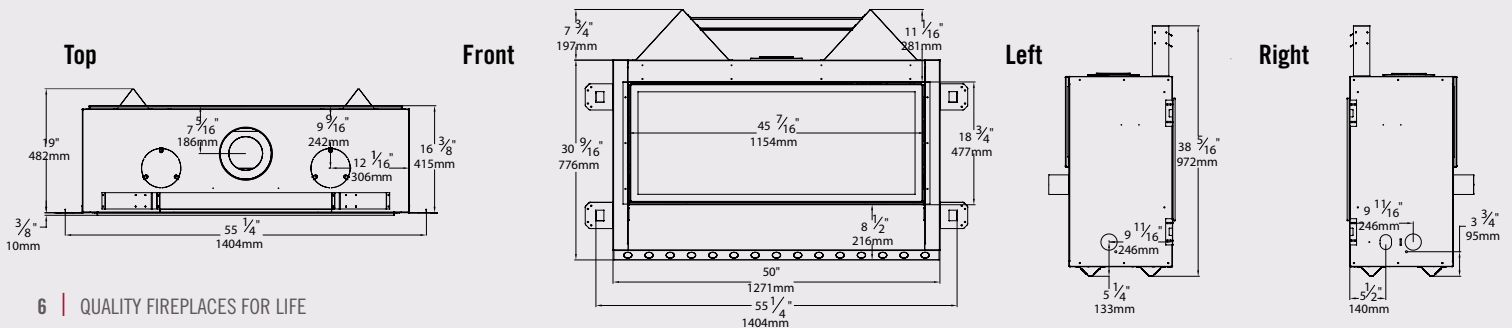
Specifications

Height	30 9/16"
Width	50"
Back width	50"
Depth	16 3/8"
Weight	220 lbs.

Clearances

Top of unit face to framing	7 3/4"
From unit left & right side stand-offs	0"
From unit back stand-offs	0"
From bottom stand-offs	0"
Unit top to ceiling	31"
Side of finishing edge to adjacent sidewall	6"
Unit front to combustibles	36"
Mantel 9" deep from fireplace finishing edge*	10 3/4"

*Refer to mantel requirements in the fireplace installation manual.



Shown w/convex frame/face
cobalt blue liquid glass



The Slayton...

Our contemporary series offers affordable elegance that combines innovation and design with function and efficiency. The *Slayton* linear fireplace offers a sleek modern design that will revolutionize your contemporary design ideas. A variety of media choices, accent lighting, enamel firebox lining, and dancing flames will make the *Slayton* a stunning addition to your home.

Fireplace Options & Accessories

Contemporary Frame/Face Finishes Rectangular or Convex

Nicollet



Black w/Cobalt Blue liquid glass



Titanium w/White Frost liquid glass



Rust w/H2O liquid glass



Brushed Stainless w/Cobalt Blue liquid glass w/optional brushed stainless firebox lining

Glass Media



Cobalt Blue



H2O



Black



White Frost

Slayton



Convex black frame (51-13/16" w x 25-3/16" h) Cobalt Blue liquid glass



Rectangular brushed stainless (49-1/2" w x 22-11/16" h) Black liquid glass



Convex rust - H2O shown w/optional driftwood logs



Rectangular titanium - Cobalt Blue shown w/optional rock accent media

Delano



Shown w/optional flame accent media



Shown w/optional rock accent media

Lighting Features



Flame, lights & fan controlled by the full function remote

Kozy Heat Product Line



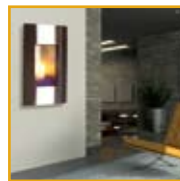
Woodburning Fireplaces



Classic DV Gas Fireplaces



Traditional DV Gas Fireplaces



Contemporary Gas Fireplaces



Gas Inserts



Gas Stoves



Two Harbors



Handcrafted Cabinetry

In order to continually provide the highest quality product available, features/options, specifications & dimensions are subject to change. Refer to the unit installation manual for complete installation instructions. Installation must conform with local building codes. **In some regions it may be possible that this appliance qualifies for an energy rebate. See your local dealer for details regarding promotions and qualifications.**

Manufactured by Hussong Mfg. Co. Inc.
204 Industrial Park Drive, Lakefield, MN 56150
9-11 Phone 1-800-253-4904 www.kozyheat.com

