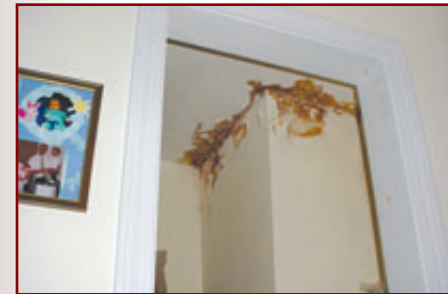


Analysis for Your Home Safety



Deteriorating Chimney



Staining from Leaking Condensation



Unlined Chimney

Staining from Leaking Condensation

THE CONDENSATION IN YOUR CHIMNEY IS SEEPING THROUGH TO THE INTERIOR OF YOUR HOME, OR YOUR CHIMNEY EXTERIOR, AND CREATING COSTLY DAMAGE

Disintegrating Chimney Structure

ACIDIC MOISTURE GOES THROUGH FREEZE AND THAW PERIODS WITH EXPANSION AND CONTRACTION CREATING CRACKS IN YOUR MORTAR AND FLUE TILES

Poor Draft

YOU HAVE AN IMPROPER FLUE SIZE MATCHED TO YOUR HEATING APPLIANCE

Tight Clearance

YOU HAVE INADEQUATE CLEARANCE TO THE WOOD FRAMING OF YOUR HOME

Damaged Chimney Structure

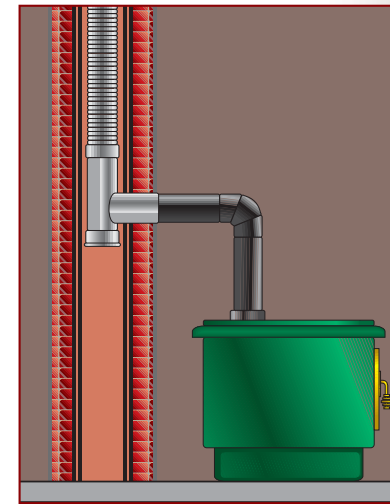
WILL ALLOW CARBON MONOXIDE, SMOKE, AND FIRE TO ENTER YOUR HOME

Down-Drafting & Smoke

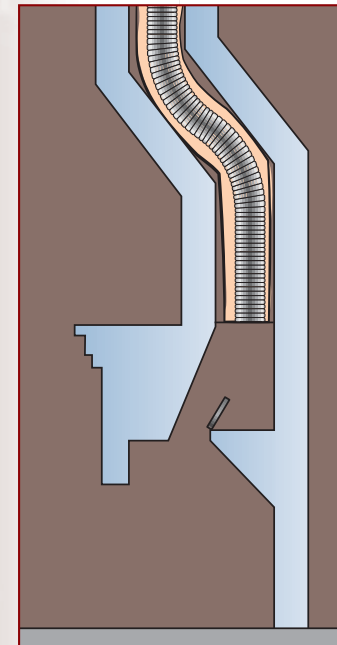
IF YOU HAVE AN IMPROPERLY LINED FLUE, YOU CAN EXPECT AN UNSTEADY DRAFT LEADING TO A DOWN-WARD FLOW BRINGING SMOKE INTO YOUR HOME

ONE SOLUTION for every application

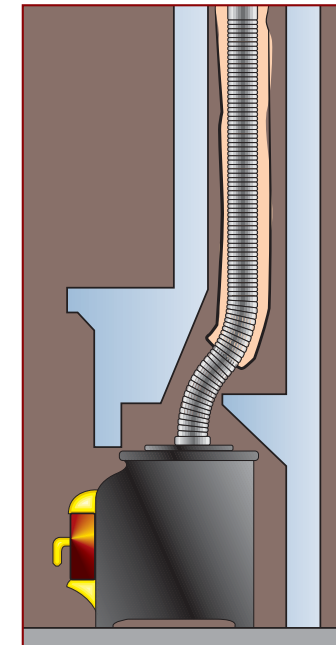
By having your chimney relined with the M-Flex 316L Stainless Steel Liner, you will not only increase the efficiency of your fuel burning appliance, but more importantly, you can rest assured that your chimney is safe for use.



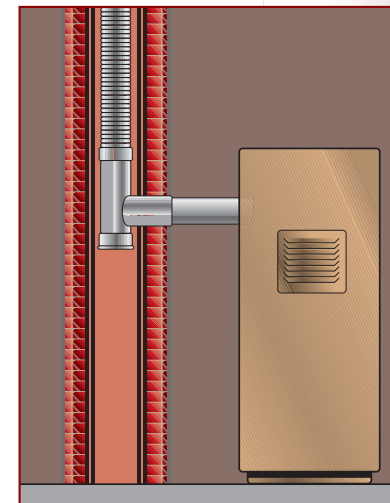
Wood and pellet stoves



Fireplaces



Fireplace inserts



Furnace and water heaters



PROUDLY MANUFACTURED IN THE UNITED STATES



WE'VE BEEN MANUFACTURING M-FLEX STAINLESS STEEL AND ALUMINUM CHIMNEY LINER SYSTEMS SINCE 1992 and with the industry's largest variety of sizes, alloys and custom chimney liners, we're eager to fulfill your chimney liner needs.



Realizing the only way to truly control a product is to manufacture, has invested in the industry by becoming the premier manufacturer of stainless steel liners and components to match.

Premier Mix

Premier Wrap

Having your liner insulated with either PREMIER MIX—a poured insulation mixture, or PREMIER WRAP—a ceramic wool blanket helps create a steady draft and allows for zero clearance installation.

How Safe is Your Home?

Your local M-Flex dealer



for Your Safety and Comfort



Why reline a chimney flue — especially when it looks fine?



The flue liner is often the most neglected part of your chimney. Traditional masonry flue tiles cannot handle the acidic moisture created by your furnace, boiler, or hot water tank. This acid attacks and breaks down flue tiles and the mortar in between them. This damage can prevent harmful exhaust gases from leaving your chimney and home.



SAFETY TIP

The NATIONAL FIRE PROTECTION ASSOCIATION (in NFPA 211) says, "Chimneys, fireplaces, and vents shall be inspected at least once a year for soundness, freedom from deposits, and correct clearances. Cleaning, maintenance, and repairs shall be done if necessary."



The interior is often dramatically different and in need of attention



OIL HEATING APPLIANCES

When mixed with acidic condensation, soot buildup from your oil furnace and hot water tank on the walls of the chimney create sulfuric acid, which will deteriorate the clay flue tiles.

GAS HEATING APPLIANCES

Greater amounts of condensation produced by the high efficiency of newer heating appliances, combined with many installations in old oil furnace flues, speeds up deterioration. *2 cubic feet of water vapor is produced with each 1 cubic foot of gas burned.*

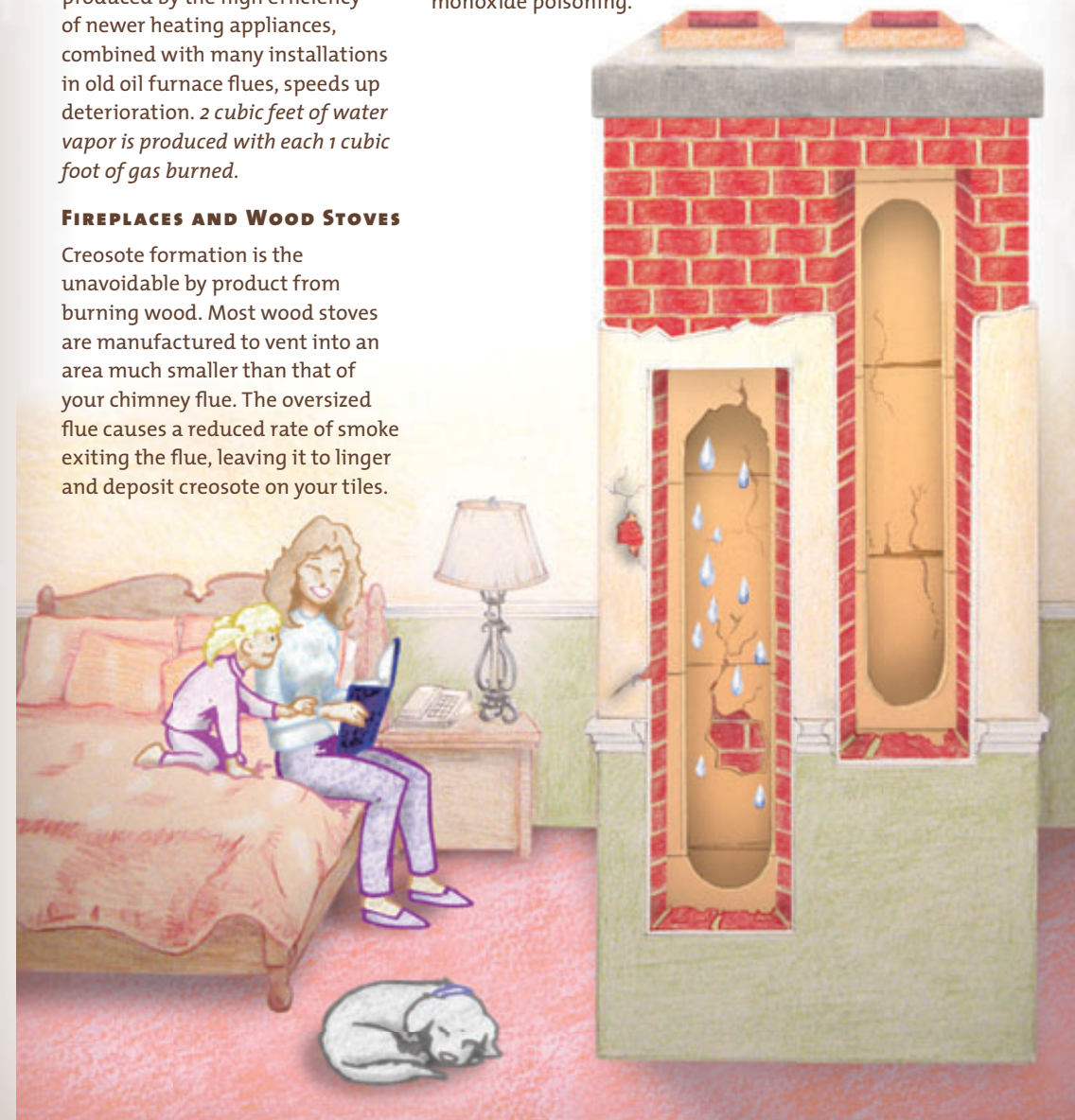
FIREPLACES AND WOOD STOVES

Creosote formation is the unavoidable by product from burning wood. Most wood stoves are manufactured to vent into an area much smaller than that of your chimney flue. The oversized flue causes a reduced rate of smoke exiting the flue, leaving it to linger and deposit creosote on your tiles.

The danger with creosote is the 450° F ignition point—consider the average wood stove produces gases leaving your fireplace at 300° F to 900° F—causing a chimney fire of up to 2100° F. If your chimney flue has no tiles, it is likely that these gases and creosote are leaking directly into your home, leading to a possible fire or creating carbon monoxide poisoning.

REAL STATISTICS

In 2001, an estimated 18,300 reported home structure fires involving chimneys supporting solid-fueled equipment resulted in \$48 million in direct property damage. (NFPA)



Don't let damage & deterioration lead to hazardous conditions



CHIMNEY DEFECTS CAN RESULT IN INJURY OR DEATH FROM FIRE AND CARBON MONOXIDE POISONING.

Having a fire start in your chimney and rising to 2100° is extremely damaging and dangerous to your family. It doesn't take a lot to start a house fire once your chimney has reached the threatening point of catching fire. One spark through a crack or an ember igniting the creosote and climbing your chimney seeking an escape route is often enough.

No fireplace? Your furnace flue is responsible for venting deadly gases which can escape into your home through the tiniest of cracks.

REAL STATISTICS

In 2001, 656 people died of unintentional non-fire exposure to gases... and there have been more than 30,000 hospital emergency room injuries per year. (NFPA)



Why wait to prevent something so dangerous to your family?

THE M-FLEX™ LINER IS AIR AND WATER TIGHT, LOCKING IN MOISTURE AND HAZARDOUS GASES — EXHAUSTING THEM SAFELY OUT OF YOUR HOME!

your perfect solution



M-Flex™ CB 316L/Ti TITANIUM

THE PROFESSIONALS CHOICE FOR SUPERIOR VENTING EFFICIENCY

The M-FLEX™ CB Stainless Steel Flexible Chimney Liner is designed to reline existing chimneys or to be used as a liner in new construction.

THE M-FLEX™ LINER ALLOYS ARE DESIGNED SPECIFICALLY TO RESIST ACIDS AND EXTREME TEMPERATURE STRESS DURING HOT AND COLD CYCLES.

The M-FLEX™ Liner is manufactured with a double overlap, crimped seam that leaves the product with an extremely strong finish and unequal flexibility. Using the highest quality, Prime Mill Certified 316L grade alloy steel available today, the M-FLEX™ Liner has an extremely high acid fighting capacity, with excellent heat resistance. Also, since no heat is used during manufacturing, such as welded seam products, there will be no loss in corrosion resistance that may be caused by direct heating of the stainless steel.



FULLY TESTED AND LISTED BY UNDERWRITERS LABORATORIES TO UL 1777 AND UL 441 FOR WOOD, PELLET, OIL, GAS, AND COAL.

The M-FLEX™ CB Stainless Steel Flexible Chimney Liner is backed by a limited Lifetime Warranty.