

THE GRAND MASTERS SERIES

# PORTOFINO

Indoor /Outdoor Woodburning Fireplaces  
JM36, JM42 & JM50 Model Series

Traditional Masonry  
Design, Unmatched  
Quality,  
Outdoor Ready



*Stylish extras for homeowners...Better value for builders*

FIREPLACES  
FOR BUILDERS  
**Fmi**

# Stunning Looks, Innovative Design

America is moving outdoors. And the new Portofino outdoor woodburning fireplace is the ultimate compliment to any outdoor room. It's the latest Vesta Award-winner in Fmi's exciting new *Mosaic Masonry™* fireplaces with real firebrick liners...and a host of beautiful new features homeowners will love!

## Homeowner Highlights:

- **Unparalleled beauty** — These unique fireplaces feature enormous firebox dimensions with a smooth face design in beautiful brushed stainless steel. The absence of any visible sheet metal compliments true firebrick for an authentic masonry appearance.
- **Masonry Firebrick liner** — The Mosaic Masonry™ firebrick lining system positions Fmi's Grand Masters Series as the industry's only real masonry, factory built and UL 127 lab certified fireplaces! The beautiful kiln-fired clay firebrick lining kit is indistinguishable from site-built masonry, and is available in both traditional Warm Red and new Ivory.
- **Uncompromising quality** — Fmi uses only the finest appliance grade stainless steel and kiln-fired clay firebrick. Solid 5/8" stainless bar stock is used our hand crafted and detailed log grates. Checks at each level of production assure a quality product every time.

## Builder Benefits:

- **Masonry Firebrick Liner** — The patented Mosaic Masonry™ firebrick kit is a complete masonry lining system of pre-engineered, steel reinforced, kiln fired clay firebrick walls that install as easily as typical factory-built concrete liners, but finish just like site-built masonry. They're even factory grouted to minimize site installation time.
- **Reliability and Versatility** — Despite the authentic, site-built masonry appearance, the Portofino is a true UL 127 approved, "zero clearance" fireplace. This means flexible installation options and guaranteed performance. And... it's approved for indoor as well as outdoor use.
- **Unparalleled Value** — Hand crafted masonry finished fireplace at a fraction of the cost and installation time of site-built; with factory controlled quality, and performance.



Masonry Portofinos are available in 36", 42" and 50" wide openings with Full 30" clear opening height.



*Mosaic Masonry™ made simple.* All new pre-engineered firebrick system features steel reinforced, factory-built and grouted masonry walls that easily slip into place and securely fasten to the steel fireplace chassis.

### Portofino Fireplace Product Offering Summary

- 36", 42" and 50" Sizes
- Traditional Stacked or Herringbone Pattern Firebrick Kits in two Colors
- Full Insulation Standard on All Models
- All Models use 12" Chimney
- UL 127 Certified

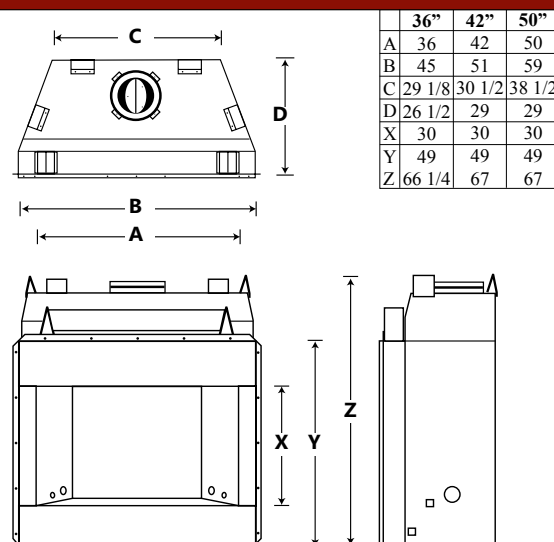


### Accessory Offering Summary

- Masonry Bi-fold Glass Door Systems
- Masonry Wood Storage Nooks
- Gas Log Kits and Accessories
- Outside Combustion Air Kits
- Custom Precast Concrete Mantles



### Dimensions



FMI PRODUCTS, LLC  
www.fmiproducts.com  
(866) 328-4537



Tested & Certified

