



www.regency-fire.com

pellet
stoves & inserts



Greenfire GF55 pellet stove shown with antique nickel door overlay and ceramic log set.

Greenfire™ GF55 & GF155 Wood Pellet Stove & Insert



Reliable Wood Pellet Technology

The Regency Greenfire™ line of pellet stoves and inserts are quiet, inexpensive and efficient home heaters that are built to last. Both the insert and stove operate automatically with a standard igniter allowing you a push button start and the ability to add a thermostat to control your home comfort.

Classic Design that fits!

Both the Freestanding Pellet stove (GF55) and the Pellet Insert (GF155) feature a large bay window providing maximum fire viewing and radiant heat dispersion. An adjustable hopper allows the GF155 to fit into a fireplace with openings as low as 20 inches.



Greenfire GF155 pellet insert with antique copper door overlay and ceramic log set.

Standard Features

- Attractive, durable cast iron brick liner
- Large arched bay door
- Black door overlay
- Hidden door handle
- Recessed hopper lid handle
- EPA certified
- Heavy-duty heat exchanger
- Large, full pedestal ash pan (GF55 model)
- Ash pan (GF155 model)
- Large 55 lb hopper with easy access lid
- Adjustable hopper height (GF155) from 22.25" to 19"
- Covered, easy-to-use controls
- 160 CFM convection fan
- Hi/Lo thermostat compatible
- On/Off thermostat compatible
- Quick start ignitor (300 Watt)

Optional Features

- Antique copper door overlay
- Antique nickel door overlay
- Ceramic one piece log set

Specifications	GF55	GF155
BTU input (on high)*	45,000	45,000
BTU input (on low)*	12,000	12,000
Optimum efficiency	83%	83%
Emissions (grams/h)	2.0 g/hr	2.0 g/hr
Fuel capacity (hopper size)	55 lbs.	55 lbs.
Burn time (typical)	up to 36 hrs.	up to 36 hrs.
Room Size / Area Heated**	up to 2000 sq. ft.	up to 2000 sq. ft.
Max. Power usage (ignitor on)	520 Watt	520 Watt
Vent Size	3"	3"
Viewing Area	117 sq.in.	117 sq.in.
Min. Fireplace Opening	GF55	GF155
Width (front)	--	27"
Height	--	23"
Depth	--	16-1/2"

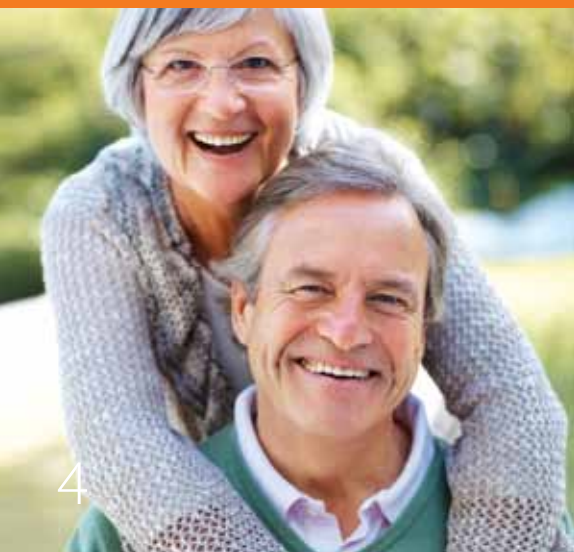
* Figure will vary considerably with individual conditions and fuel quality.
 ** Figure will vary considerably with floor plan, house layout / heat loss of the house and quality of pellets used.





Hampton GCI60 biomass pellet insert shown with ceramic log set.

Hampton® GCI60 & GC60 Biomass Pellet Insert & Stove



Inexpensive operation, Priceless Design

The Hampton Collection of cast iron biomass pellet stoves and inserts combine all of the best features of traditional cast iron with the latest developments in alternative fuel technology. Able to burn wood pellets, corn, wheat and barley they offer maximum heat efficiencies for very cost effective home heating.

Low maintenance, High performance

The Hampton pellet stove and insert feature the most impressive pellet flame in the industry supported by a patent pending low maintenance burner that requires less cleaning and impressive high heat efficiency.



Hampton GC60 biomass pellet stove shown with ceramic log set.

Standard Features

- Ability to burn a variety of biomass pellet fuels - high grade to low grade wood, corn, wheat and barley pellets
- Durable cast iron exterior provides both beauty and radiant heat
- Most impressive pellet flame in the industry
- EPA Certified
- Low maintenance burner (patent pending technology) with agitator rod in the burn pot
- Reduced cleaning intervals compared to other pellet stoves
- Quick start automatic (400 watt) ignitor with air pump
- 300 CFM convection fan
- Quietest pellet stove in the industry (40 – 45 dB at 10 ft. away)
- Decorative and durable fluted cast iron firebox liner (GC60 only)
- Standard wall thermostat
- Concealed, easy-to-use controls with Tri-mode operating system (Manual – Hi/Lo – Auto/Off)
- Advanced Air Wash System for cleaner glass
- Mobile Home Approved

Optional Features

- Wireless Digital Wall Thermostat or Remote Control
- Ceramic One Piece Log Set
- Outside Air Kit



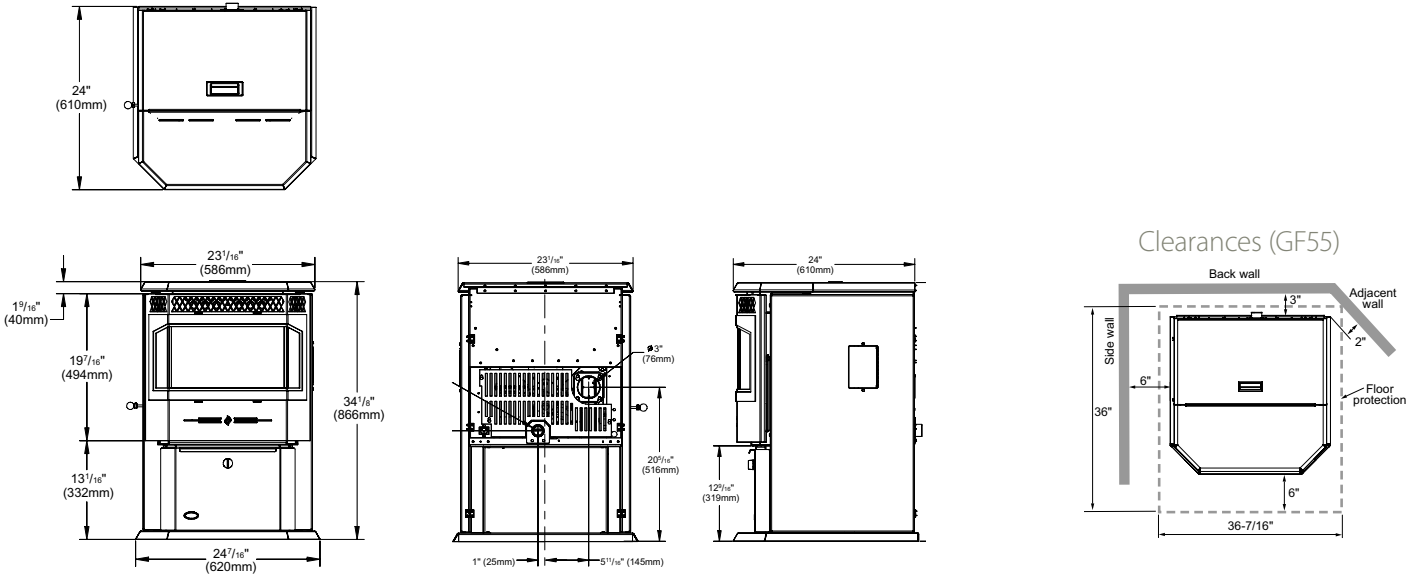
Specifications	GC160	GC60
BTU input (on high)*	55,000	55,000
BTU input (on low)*	10,000	10,000
Optimum efficiency	83.5%	76.6%
Emissions (grams/h)	1.0 g/hr	2.0 g/hr
Fuel capacity (hopper size)	60 lbs.	60 lbs.
Burn time (typical)	up to 36 hrs.	up to 36 hrs.
Room Size / Area Heated**	up to 2500 sq. ft.	up to 2500 sq. ft.
Weight	495 lbs.	500 lbs.
Max. Power usage (ignitor on)	600 Watt	600 Watt
Operating Power usage	200 Watt	200 Watt
Vent Size	4"	4"
Viewing Area	232 sq. in	232 sq. in

Min. Fireplace Opening	GC160	GC60
Width (front)	27"	--
Height	23"	--
Depth	16-1/2"	--

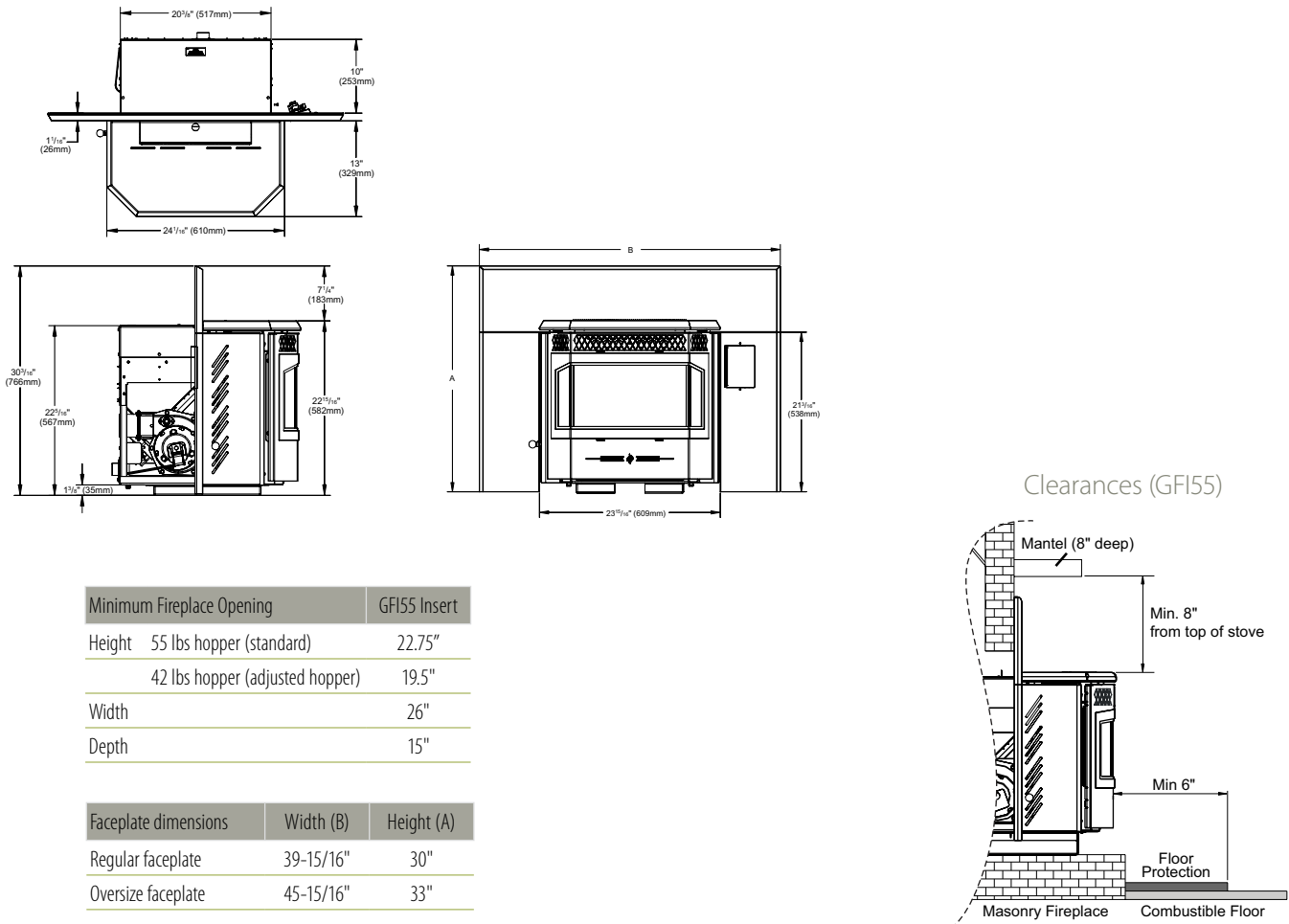
* Figure will vary considerably with individual conditions and fuel quality.
 ** Figure will vary considerably with floor plan, house layout / heat loss of the house and quality of pellets used. Hampton pellet stove/insert have been approved for mobile home installations once certain criteria are met.

Specifications - Greenfire Stove & Insert

Pellet stove (GF55)



Pellet insert (GF155)

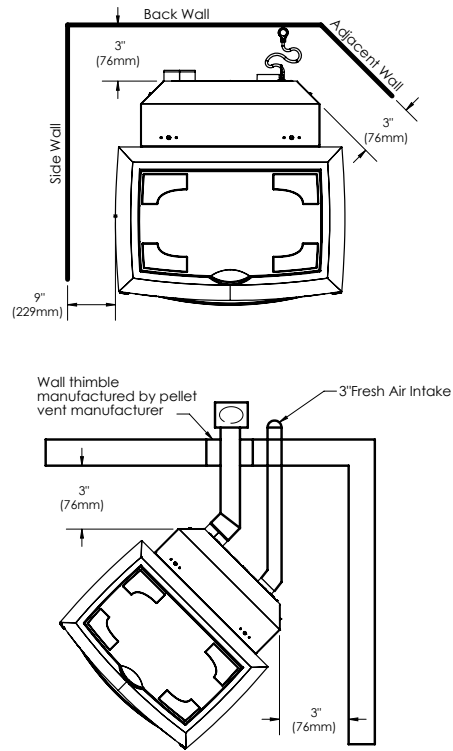
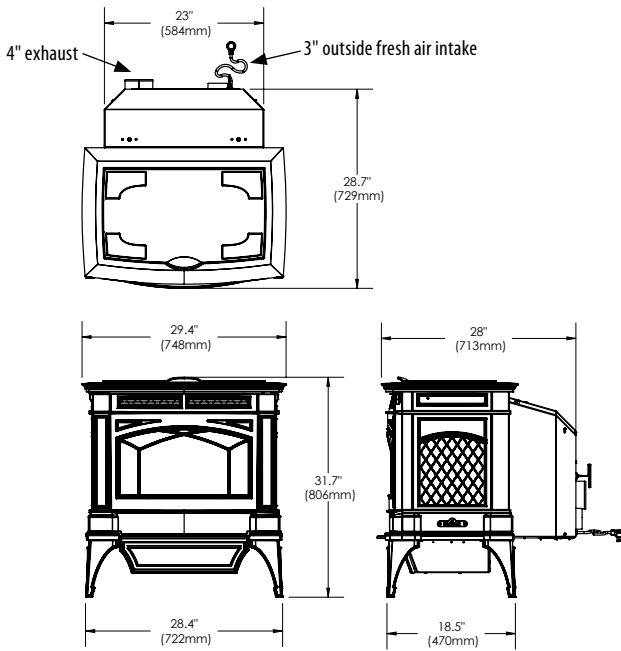


Minimum Fireplace Opening	GF155 Insert
Height 55 lbs hopper (standard)	22.75"
42 lbs hopper (adjusted hopper)	19.5"
Width	26"
Depth	15"

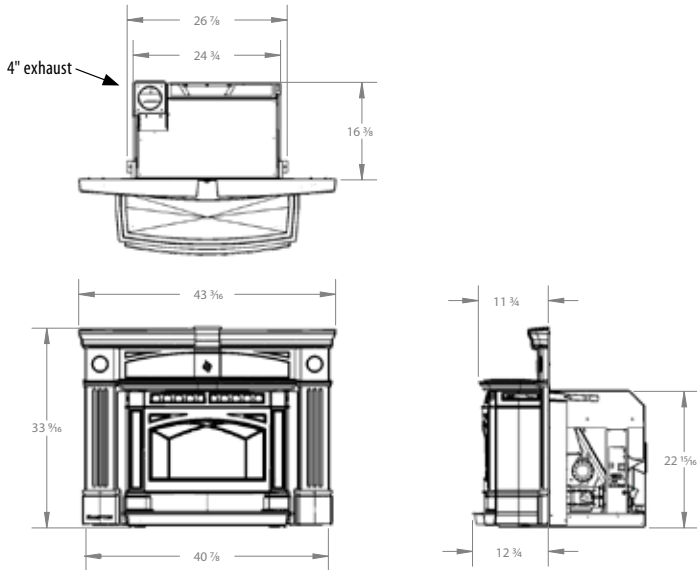
Faceplate dimensions	Width (B)	Height (A)
Regular faceplate	39-15/16"	30"
Oversize faceplate	45-15/16"	33"

Specifications -Hampton Stove & Insert

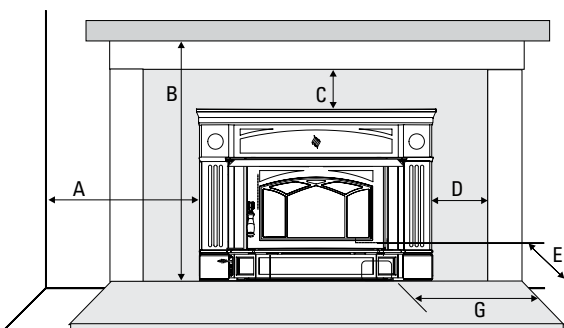
Pellet stove (GC60)



Pellet insert (GCI60)



Clearances (GCI60)



Due to on-going product development, product appearance and specifications are subject to change without notice. These units must be installed by a qualified dealer. Hampton pellet stove/insert have been approved for mobile home installations once certain criteria are met.

Masonry & Factory Built Fireplace Clearances

The minimum required clearances to combustibles materials when installed into a masonry fireplace are:

	Adjacent Side Wall (from center)	Mantel (12") (bottom unit)	Top Facing (top faceplate)	Side Facing (3/4") (to side faceplate)	Min. Hearth Extension (from door opening)	Adjacent Side Wall (side faceplate)	Min Hearth Side Extension (from side of unit)
	A	B	C	D	E	F	G
GCI60	24"	33"	0	0	6"	2"	6"

Why a Regency Pellet Product?



Tradition of Excellence

Over 25 years of research and design has been invested in the Regency line of pellet stoves. Product engineers have created low maintenance, environmentally friendly products that burn very efficiently.

EPA Certified

All Regency products have been tested and certified to the strictest clean air standard as set by the Environmental Protection Agency. Rated among the highest efficiency units, all Regency Pellet stoves heat from between 2,000-2,500 square feet with adjustable heat management options.

Function AND Design

Regency's commitment to high standards of product operation are equally matched with our promise to the attractive look of the unit including beautiful accessories like glass overlays, tasteful logs, clean glass airwash systems and concealed, easy to use controls. Our mandate is beautifully functional products.

burning pellets a green choice

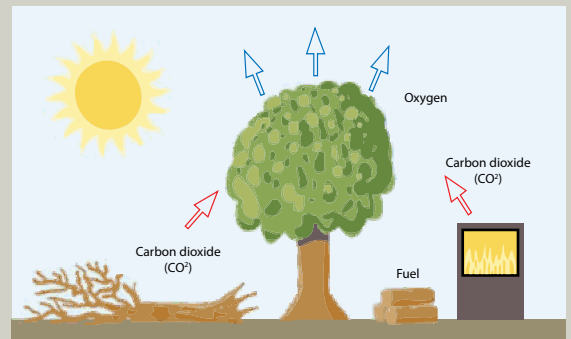
Renewable Resource

Pellets come from renewable natural resources - well-managed forests and crops are a renewable, sustainable source of energy that helps us reduce greenhouse gas emissions and be less dependent on oil & gas.

Wood is Carbon Neutral

As plants grow they absorb carbon dioxide from the atmosphere. When plants die and are left to decompose the carbon stored in them is released in the atmosphere as carbon dioxide.

Burning pellets produces the same amount of carbon dioxide as it has absorbed during its life cycle - making pellet burning carbon neutral.



One Regency = One Tree



One Regency = One Tree

Greenfire is a proud member of the Regency® family of fireplace products. We are committed to protecting our environment and for every Regency sold, we will plant a tree. Working with American Forests, the trees planted in this program will offset carbon emissions created during the activities in our daily lives.



www.regency-fire.com

your regency dealer

Approved for sale in United States & Canada.
UL-1482/ULC S627; CSAB366.2M/ULC S628; UL907/UL-127 ULC S610.

© 2011 FPI Fireplace Products International Ltd. Greenfire, Regency, Hampton, "One Regency One Tree" are registered or proprietary trademarks of FPI Fireplace Products International Ltd. All rights reserved. Printed in Canada (10/11)
Part no. 944-407