



# Classic Series

DIRECT VENT GAS  
FIREPLACES



*Dassel w/Mission  
design full door face*

Dassel Specifications .....2  
Princeton Specifications .....4  
Thief River Falls Specifications .....6

Minnetonka Specifications .....8  
Trimont Specifications .....10  
Fireplace Options & Accessories ..12

**DASSEL • PRINCETON  
THIEF RIVER FALLS  
MINNETONKA • TRIMONT**

# Dassel Slim Profile Direct Vent Specifications

Dassel w/Rectangular Prairie pattern full door face - Aspen flush surround - Absolute Black Granite



Model	Fuel Opt.	High	Low	Max. Efficiency
DSL36	NG	26,000	13,000	80%
	LP	25,500	12,000	81%

## Features

- Canada P-4 approved
- AFUE rated
- High quality lifetime warranty glass (23 3/4" x 30 1/6")
- High-low regulator
- Speed control with receptacle assembly
- Patented log design
- Model DSL-36-IP1 only (electronic ignition) - remote modulating valve system w/flame, fan adjustment & fan kit
- Upper grill/hood & lower grill (black)
- Engineer-designed burner system
- Minnesota Energy Code compliant to 50 pascals

## Safety

- Each unit factory tested!
- Tested by OMNI-Test Laboratories Complies with ANSI-Z21.88a -2007•CSA 2.33a-2007 'vented gas fireplace heaters'
- U.S. & Canadian installation approved
- Sealed combustion chamber with standing pilot ignition
- Removable millivolt board with 30-second safety pilot
- Automatic pressure relief glass system
- Bedroom & mobile home approved

## Venting Requirements

This stove is manufactured standard to accept 5" x 8" pipe. Dura-Vent's 4"x 6 5/8" Decreaser can be used on this stove, but only with Dura-Vent pipe.

- Simpson Dura-Vent™ DV-GS pipe - 5" x 8" & 4" x 6 5/8"
- Selkirk Metalbestos™ direct chimney system - 5" x 8" ONLY
- Ameri-Vent™ direct chimney system - 5" x 8" ONLY
- Metal Fab™ - 5" x 8" ONLY
- ICC™ - 5" x 8" ONLY
- Security™ - 5" x 8" ONLY
- Kozy Heat flexible #800 series vent kits\* - 5" x 8" ONLY

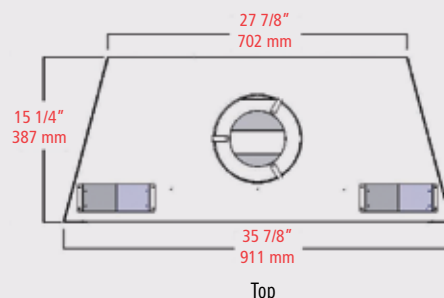
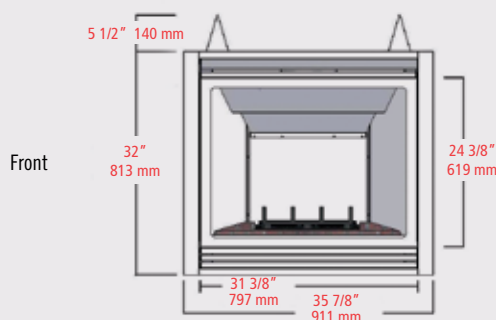
Please consult the installation manual for a list of approved caps.

**IMPORTANT:** Kozy Heat Part #800-WPT or #800-WPT2, must be used on horizontal vent runs using 5" x 8" pipe.

Specifications	
Height	32"
Width	35 7/8"
Back width	27 7/8"
Depth	15 1/4"
Weight	150 lbs.

Framing Dimensions	
Height	37 1/2"
Width	36 3/8"
Depth	15 3/4"

Clearances	
Fireplace front edges to framing	1/4"
Fireplace top to framing	5 1/2"
Fireplace back & back corners	1/4"
Fireplace bottom to flooring	0"
Fireplace top to ceiling	31"
Fireplace face to adjacent sidewall	3"
Fireplace front	36"
Mantel 4" deep from top of fireplace	16"
Refer to the mantel requirements in the installation manual	





*Dassel w/full screen face*

## The Dassel...

is the perfect fit for smaller sized rooms or when installation space is a concern. At 15-1/4" deep the *Dassel* can be installed easily, but still offers efficiency, heat, and a great looking fire. Give your room a customized design with numerous door or screen options.

# Princeton Specifications



*Princeton w/Arched Prairie pattern full door face - Craftsman wall cabinet*

Model	Fuel Opt.	High	Low	Max. Efficiency
PRC36	NG	35,000	22,500	80%
	LP	34,800	25,500	81%

## Features

- Canada P-4 approved
- AFUE rated
- High quality lifetime warranty glass (23 3/4" x 30 1/16")
- Quick-latch glass/Pressure release system
- Accepts rigid DV vent systems or Kozy Heat #800 series flexible termination kits
- Engineer-designed burner system w/external adjustable venturi
- Model PRC-36-IPI only (electronic ignition) - remote modulating valve system w/flare, fan adjustment & fan kit
- Patented log design
- Brick refractory
- Heat damper control
- Upper grill/hood & lower grill (black)
- Minnesota Energy Code compliant to 50 pascals

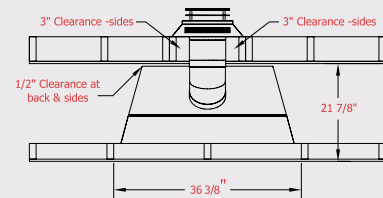
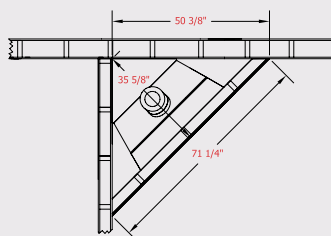
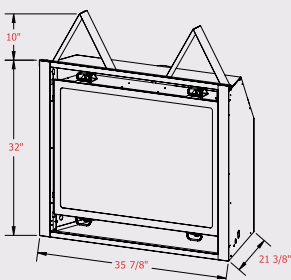
Specifications	
Height	32"
Width	35 7/8"
Back width	24 5/8"
Depth	21 3/8"
Weight	160 lbs.

## Safety

- **Each unit factory tested!**
- Tested by OMNI-Test Laboratories  
Complies with ANSI Z21.88a-2007 • CSA 2.33a-2007  
'Vented Gas Fireplace Heaters'
- Sealed combustion chamber with standing pilot ignition
- Removable millivolt board with 30-second safety pilot
- Automatic pressure relief glass system
- Bedroom and mobile home approved

Framing Dimensions	
Height	42"
Width	36 3/8"
Depth	21 7/8" horz. termination
	23 7/8" vert. termination

Clearances	
Top of unit face to framing	10"
From unit left & right sides & back	1/2"
Surround sides (flush)	1/4"
To flooring	0"
Unit top to ceiling	31"
Unit's side to adjacent sidewall	10"
Fireplace front	36"
Mantel 10" deep from top of unit	15"
Refer to the mantel projection chart in the installation manual	





*Princeton w/Drake pattern  
full door face*

## The Princeton...

offers the unique feature of a 21-3/8" deep firebox in a 36" fireplace. The deep box and realistic logs and flames make the *Princeton* the perfect fireplace for heating up your home on a cold night, and proves that good things come in small packages. Customize your fireplace with a wide variety of doors and fronts.

# Thief River Falls Top/Rear Vent Gas Specifications



Thief River Falls w/Arched  
Drake pattern full door face -  
Keystone wall cabinet

Model	Fuel Opt.	High	Low	Max. Efficiency
56701	NG	28,000	20,000	80%
	LP	28,000	21,000	82%

## Features

- Canada P-4 approved
- AFUE rated
- High quality lifetime warranty glass (35" x 26")
- Quick-latch glass
- Accepts rigid pipe; rear vent ready
- Model TRF-IP1 only (electric ignition), remote modulating valve system w/flame, fan adjustment & fan kit
- Upper grill/hood and lower grill (black)
- High-low regulator
- Patented log design
- Minnesota Energy Code compliant to 50 pascals

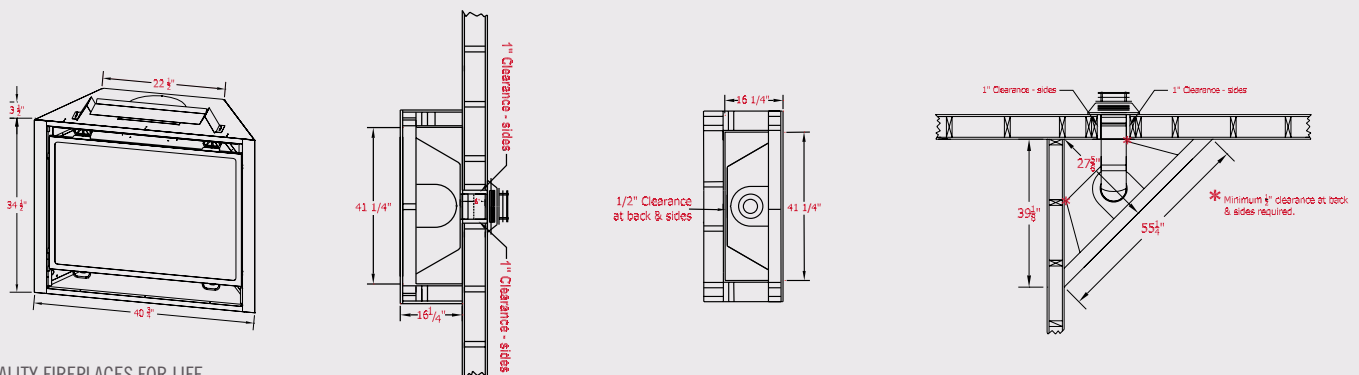
Specifications	
Height	34 1/2"
Width	40 3/4"
Back width	22 1/2"
Depth	15 3/4"
Weight	180 lbs.

Framing Dimensions	
Height	38 1/4"
Width	41 1/4"
Depth	16 1/4"
Platform	40 3/4" W x 15 3/4" D

Clearances	
Top of unit face to framing	3 1/2"
From unit left & right sides & back	1/2"
Surround sides (flush)	0"
To flooring	0"
Unit top to ceiling	31"
Unit side to adjacent sidewall	0"
Mantel 8" deep from top of fireplace	8"
Mantel 12" deep from top of unit	12"
Refer to the mantel projection chart in the installation manual	

## Safety

- **Each unit factory tested!**
- Tested by OMNI-Test Laboratories
- Complies with ANSI Z21.88a-2007 • CSA 2.33a-2007 'Vented gas fireplace heaters'
- Sealed combustion chamber with standing pilot ignition
- Removable millivolt board with 30-second delay pilot
- Automatic pressure relief glass system
- Bedroom and mobile home approved





*Thief River Falls w/Mission  
design doors*

## The Thief River Falls...

The *TRF* offers value, heat, and a slim-profile that is the best in its class. The *TRF* has the ability to be vented off the top or back allowing it to be installed in almost any situation. The large viewing area and realistic logs and burner make the *TRF* a perfect fireplace when space is a concern. Numerous door and face options allow the *TRF* to be customized for your décor.

# Minnetonka Specifications



Minnetonka w/full screen face  
- Meridian wall cabinet

Model	Fuel Opt.	High	Low	Max. Efficiency
55345	NG	40,000	21,500	80%
	LP	40,000	26,500	81%

## Features

- Canada P-4 approved
- AFUE rated
- High quality lifetime warranty glass (35" x 26")
- Quick-latch glass
- Accepts rigid pipe or Kozy Heat flexible vent system, no adaptor necessary
- High-low regulator
- Patented log design
- Brick refractory
- Heat damper control
- Upper grill/hood & lower grill (black)
- Model 55345 - IPI only (electronic ignition) - remote modulating valve system w/flame, fan adjustment & fan kit
- Minnesota Energy Code compliant to 50 pascals

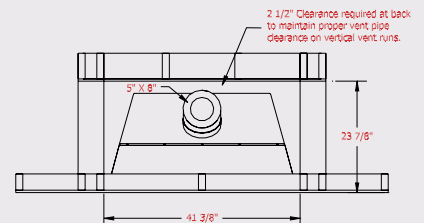
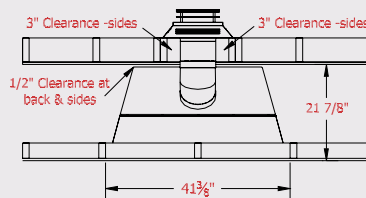
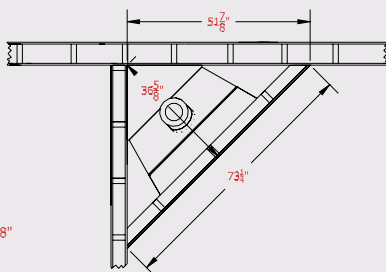
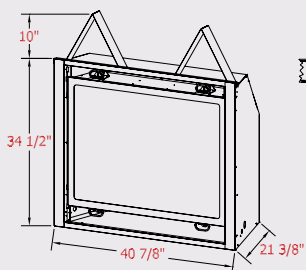
Specifications	
Height	34 1/2"
Width	40 7/8"
Back width	29 1/4"
Depth	21 3/8"
Weight	195 lbs.

Framing Dimensions	
Height	44 1/2"
Width	41 3/8"
Depth	21 7/8" horz. terminations 23 7/8" vert. terminations
Platform	40 7/8" W x 21 3/8" D

Clearances	
Top of unit face to framing	10"
From unit left & right sides & back	1/2"
Surround sides (flush)	1/4"
To flooring	0"
Fireplace top to ceiling	31"
Unit's side to adjacent sidewall	12"
Mantel 10" deep from top of fireplace	15"
Refer to the mantel projection chart in the installation manual	

## Safety

- Each unit factory tested!
- Tested by OMNI-Test Laboratories
- Complies with ANSI Z21.88b-2008•CSA 2.33b-2008 'Vented gas fireplace heaters'
- Sealed combustion chamber with standing pilot ignition
- Removable millivolt board with 30-second delay pilot
- Automatic pressure relief glass system
- Bedroom and mobile home approved







*Minnetonka w/True Arch  
Mission full door face  
(Titanium finish)*

## The Minnetonka...

fireplace is known throughout the hearth industry for arguably the most realistic flame and log technology available. Not only does the *Minnetonka* offer ambiance and design to your room but the technology, decorative fronts, doors, and finishes offer unsurpassed value in the market. The *Minnetonka* is sure to be the focal point of your home.

# Trimont See-Thru Direct Vent Specifications



Trimont w/Mission design full door face

Model	Fuel Opt.	High	Low	Max. Efficiency
TMT3875	NG	47,000	23,500	72.40%
	LP	46,000	26,500	77.22%

## Features

- Canada P-4 Approved
- AFUE rated
- Model TMT-3875 IPI only (electronic ignition) - remote modulating valve system with flame, fan adjustment & fan kit
- High quality lifetime warranty glass (2) 34 3/4" x 26"
- High-low regulator - model TMT-3875 only
- Speed control with receptacle assembly - model TMT-3875 only
- Patented log design
- Brick refractory (ends & bottom)
- Seasonal heat damper
- Minnesota energy code compliant to 50 pascals
- **This model can be converted to a 3-sided pier with the installation of an optional pier conversion kit**

## Safety

- **Each unit factory tested!**
- Tested by OMNI-Test Laboratories complies with ANSI Z21.88a-2007 • CSA 2.33a-2007 'Vented Gas Fireplace Heaters'
- TU.S. & Canadian Installation Approved
- Sealed combustion chamber with standing pilot ignition
- Removable millivolt board with 30-second safety pilot
- Automatic pressure relief glass system
- Bedroom & mobile home approved

## Venting Requirements

Rigid 5" x 8" Dura-Vent®, AmeriVent®, Selkirk Metalbestos®, Metal-Fab and the Kozy Heat #800 series flexible vent systems are approved for this fireplace

**IMPORTANT:** Kozy Heat part #800-WPT, must be used on All horizontal vent runs

### Horizontal Terminations:

- Minimum: NG - 90° elbow + 6" + termination cap  
LP - 6" + 90° elbow + 6" + termination cap
- Maximum: NG - 90° elbow + max. 10' run  
LP - 6" + 90° elbow + max. 10' run

### Vertical Terminations:

- Minimum: 4' = AmeriVent®, Selkirk Metalbestos® and Metal-Fab
- Minimum: 8' = Dura-Vent®
- Maximum: 35'

**Note: A restrictor is required for all vertical venting applications**

**Horizontal & vertical combo:** 30' = 10' max. horizontal  
20' max. vertical

## Specifications

Height	34 1/2"
Width	38 3/4"
Depth	24"
Weight	220 lbs.

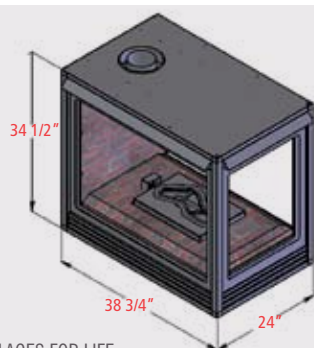
## Framing Dimensions

	See-Thru	Pier
Height	46"	46"
Width	42 1/4"	40 1/2"
<b>Finished</b> Wall Depth	24"	

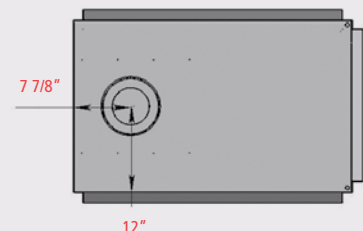
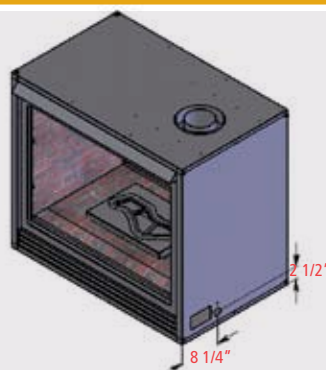
## Clearances

From face top	11 1/2"
From vented/non-vented ends	1 3/4"
Side of fireplace to adjacent side wall	1 3/4"
Full door face sides (decorative option)	1/4"
To flooring	0"
Unit floor to ceiling	68"
Mantel 12" deep from top of unit*	12"
Refer to the mantel requirements in the installation manual	

Pier model



See-Thru





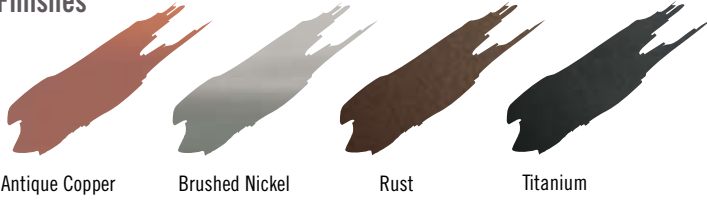
*Trimont w/Mission design doors & pier end*

## The Trimont...

Whether you are joining a bedroom and a bathroom, or looking for the architectural element that a pier fireplace adds to any room – the *Trimont* offers all of this and more. The *Trimont* is a multi-sided fireplace that can be installed as a see-thru fireplace or in a three-sided pier application. Add decorative fronts or operable doors to one side or both – your choices are endless.

# Fireplace Options & Accessories

## Finishes



Antique Copper

Brushed Nickel

Rust

Titanium

## Full Door Faces/Doors



Drake pattern full door face



Arched Drake pattern full door face



Arched Prairie pattern full door face



'True Arch' Mission full door face



Mission design full door face



Rectangular Prairie pattern full door face



Full screen face



Mission design doors

## Controls



Standard wall mount or wireless wall mount thermostat



Wireless wall switch



Remote control



IPI full function remote

## Refractories



Brick refractory



Brick refractory (standard in MTK & PRC only)



Black enamel panels

## Kozy Heat Product Line



Woodburning Fireplaces



Classic DV Gas Fireplaces



Traditional DV Gas Fireplaces



Contemporary Gas Fireplaces



Gas Inserts



Gas Stoves



Two Harbors



Handcrafted Cabinetry

In order to continually provide the highest quality product available, features/options, specifications & dimensions are subject to change. Refer to the unit installation manual for complete installation instructions. Installation must conform with local building codes. **In some regions it may be possible that this appliance qualifies for an energy rebate. See your local dealer for details regarding promotions and qualifications.**

Manufactured by Hussong Mfg. Co. Inc.  
204 Industrial Park Drive, Lakefield, MN 56150  
2-12 Phone 1-800-253-4904 www.kozyheat.com



Optional Features	DSL	PRC	TRF	MTK	TMT
Flex vent adaptor kit			X		
Per conversion kits (standard & Mission design)					X
Backlight kit		X		X	
Full door faces/Mission doors (TMT See-Thru only)	X	X	X	X	X
Full screen face	X	X	X	X	X
Automatic fan kit w/var. sp. Ctl. (Non-IPI Models 1-75 CFM)	X				X
Automatic fan kit w/var. sp. Ctl. (Non-IPI Models 2-75 CFM)		X	X	X	
Remote control/thermostat remote (Non-IPI Models)	X	X	X	X	X
Wall mount thermostat/wireless wall mount (Non-IPI Models)	X	X	X	X	X
Brick refractory	X		X		
Enamel panels	X	X	X	X	
Wall, corner cabinet & flush surround (Refer to the cabinetry brochure)	X	X	X	X	