



Turn your fireplace
into a work of

Art



*Signature Series
Mantel Collection*

Old World Craftsmanship & Charm

Napoleon® wood mantels combine centuries-old tradition with contemporary production techniques to make them truly one-of-a-kind masterpieces.

Choose from an array of designs, each with its own individual textures, colours and accents, to suit any décor. Available in flush, cabinet or corner mantels.

Transform your fireplace into a work of art. To find an authorized dealer near you call 705.721.1212 or visit napoleonfireplaces.com.

Experience Napoleon's Fireplace Design Studio where you can choose the perfect fireplace and mantel combination for your home.

fireplacedesignstudio.com



Each and every Napoleon® cabinet, mantel and hearth pad is hand-crafted with the utmost attention to detail to ensure a smooth fit and seamless design with your fireplace. Available in a variety of sizes and elegant finishes to suit your decor. Select from natural, dark oak, red mahogany, ebony, special walnut, black and white finishes to match the distinctive style of your home.

(Mantels are a natural wood product and therefore variances in colour may occur.)

Georgian™



Georgian™ mantel shown in black finish with top box, side shelves and hearth pad, featuring Napoleon's BGD36 gas fireplace.

Available in:



Ebony

Special Walnut

Natural

Dark Oak

Red Mahogany

Black (MDF)

White (MDF)



Mantels are a natural wood product and therefore variances in colour may occur. Unless otherwise specified, wood used is maple and/or maple veneer.

Compatible with:
36 series fireplaces
(rear vent only)

Optional left and right side shelves and top shelf available.

*Mantel, without side or top shelves, is available as a corner unit.



Simcoe™



Compatible with:
36 (rear vent only) &
70 series fireplaces

Available as a cabinet unit only.
Optional upper wall kit available.
Not available as a corner unit.

Simcoe™ mantel shown in black finish with
Napoleon's BGD36 gas fireplace.

Available in:



Ebony



Special Walnut



Natural



Dark Oak



Red Mahogany



Black (MDF)



White (MDF)



Mantels are a natural wood product and therefore variances in colour may occur.
Unless otherwise specified, wood used is maple and/or maple veneer.

Metro™



Metro™ mantel shown in black finish featuring
Napoleon's BGD36 gas fireplace.

Available in:



Natural

Black

Mantels are a natural wood product and therefore variances in colour may occur.
Wood used is maple and/or maple veneer.



Natural finish

Compatible with:
36 series fireplaces
(rear vent only)

Available as a cabinet unit only.
Not available as a corner unit.



Princess™



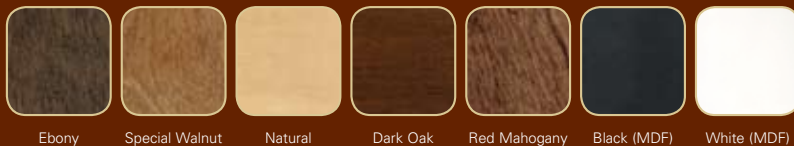
Compatible with:
33/34, 36, 42, 48, 70
series fireplaces

Available as a flush, cabinet or
corner unit. Upper wall kit and
bookcase also available.

Princess™ style also available
in a fireplace waterfall mantel
combination. See Waterfall
brochure for more details.

Princess™ mantel shown in dark oak finish featuring
Napoleon's BCD36 gas fireplace.

Available in:



Ebony

Special Walnut

Natural

Dark Oak

Red Mahogany

Black (MDF)

White (MDF)

Mantels are a natural wood product and therefore variances in colour may occur.
Unless otherwise specified, wood used is maple and/or maple veneer.



Natural finish

Bonaparte™



Bonaparte™ cabinet shown in white finish featuring Napoleon's BGD36 gas fireplace.

Available in:



Ebony

Special Walnut

Natural

Dark Oak

Red Mahogany

Black (MDF)

White (MDF)

Mantels are a natural wood product and therefore variances in colour may occur. Unless otherwise specified, wood used is maple and/or maple veneer.



White finish

Compatible with:
33/34, 36, 42, 48, 70
series fireplaces

Available as a flush, cabinet or
corner unit. Upper wall kit and
bookcase also available.



Elegance™

Multi-fit Mantel



Compatible with models:
33/34, 36 series

Available as a flat cabinet or
flush unit.

Elegance™ cabinet in medium oak featuring
Napoleon's BCD36 gas fireplace.

Available in:



Special Walnut

Mantels are a natural wood product and therefore variances in colour may occur.
Wood used is oak and/or oak veneer.

Upper Wall Kits & Side Shelves



Elegance™ cabinet in medium oak shown with upper wall bookcase kit & matching right and left side shelves. Featuring Napoleon's BGD36 gas fireplace.

Available in:



Ebony

Special Walnut

Natural

Dark Oak

Red Mahogany

Black (MDF)

White (MDF)

Mantels are a natural wood product and therefore variances in colour may occur. Unless otherwise specified, wood used is maple and/or maple veneer. Upper wall kits and side shelves are maple and not recommended for use with oak Elegance™ mantels.

Compatible with Princess™ & Bonaparte™ mantels.

Upper wall bookcase and side shelves sold separately.

Vittoria™



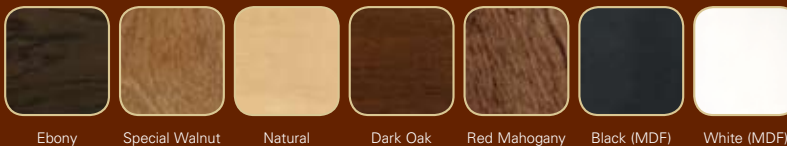
Compatible with:
GD19 Vittoria™
Gas Fireplace

Available as a cabinet or
corner unit.



Vittoria™ cabinet mantel shown
in Ebony finish.

Available in:



Mantels are a natural wood product and therefore variances in colour may occur.
The Vittoria™ mantel is available in your choice of maple / maple veneer or oak / oak veneer. Please specify when ordering.

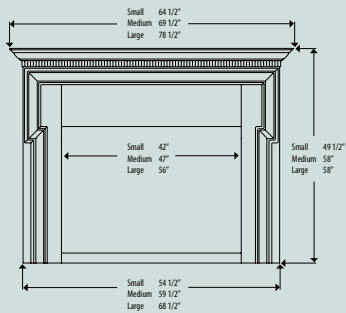


Corner mantel in
Special Walnut finish

Mantel Dimensions

Princess™

Mantel



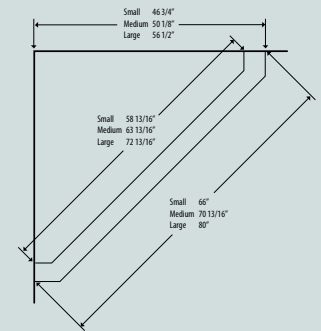
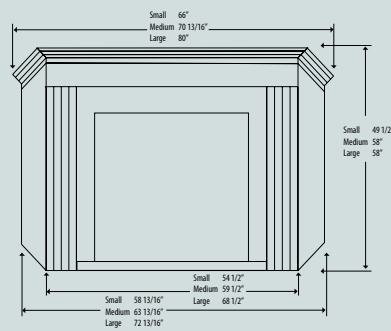
Cabinet



Flush

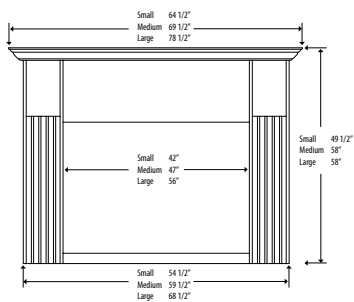


Corner

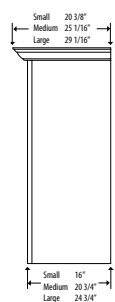


Bonaparte™

Mantel



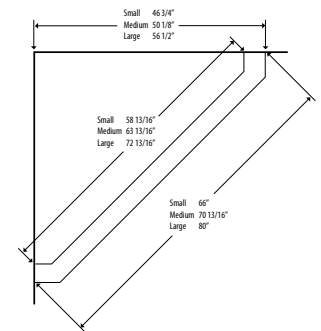
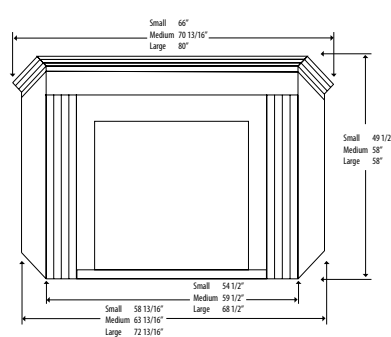
Cabinet



Flush

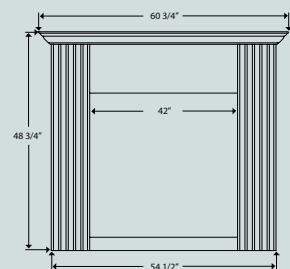


Corner

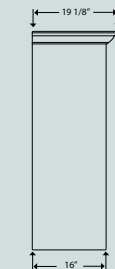


Elegance™

Mantel



Cabinet



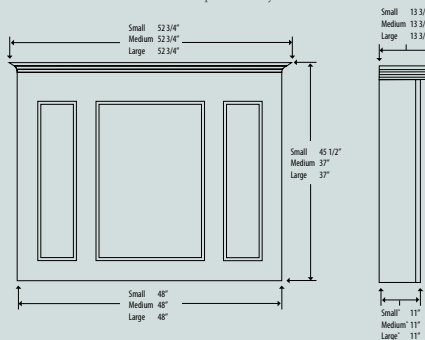
Flush



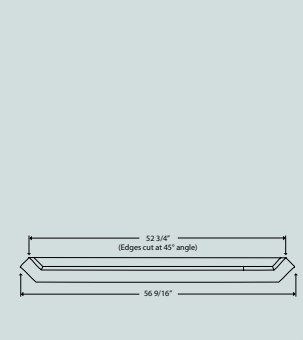
Upper Wall Kits & Side Shelves

Upper Wall Kit

Available for Princess™ & Bonaparte™ only



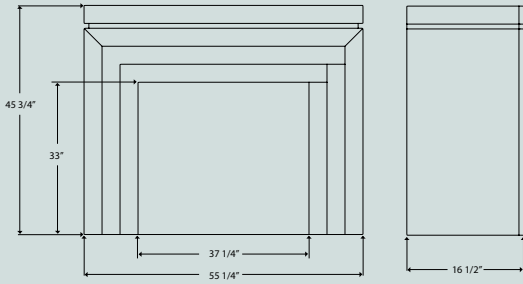
Corner Upper Wall Kit



Mantel Dimensions

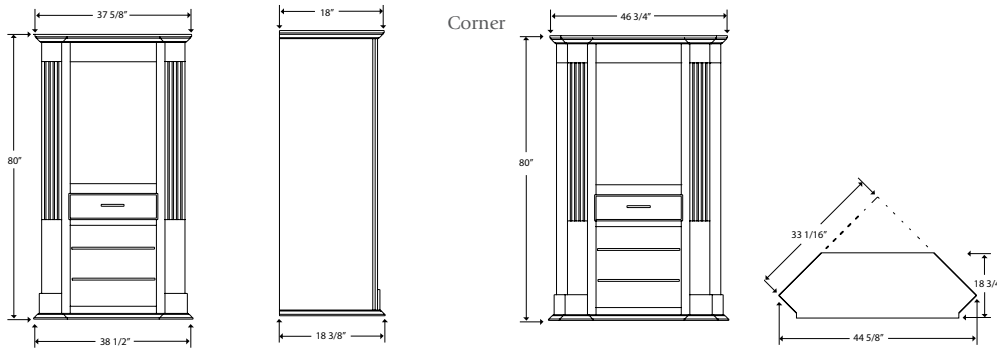
36 Metro™

Cabinet Only
(Not available as a corner unit)



Vittoria™

Cabinet Only



Options

Tile Samples



White



Beige



Black

*GD34, GD70 & BGD48 require tile facing. Wood facing not available.

Hearth Pads



Dark Oak

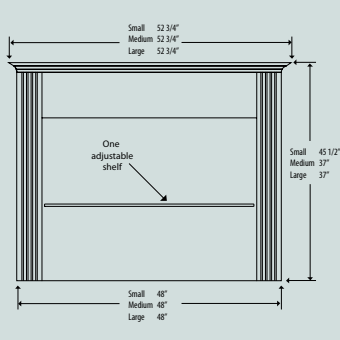


Red Mahogany Finish & Tile

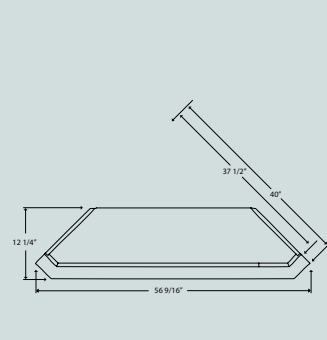
Each one of our hearth pad boards is available in both flush wall style or corner mount. Elegant polished ceramic tile is also available in black, white & beige.

Upper Wall Kits & Side Shelves (cont...)

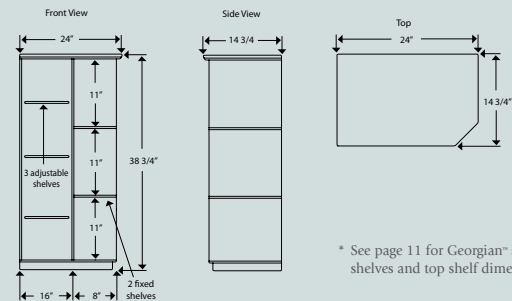
Bookcase



Corner Bookcase



Side Shelves*

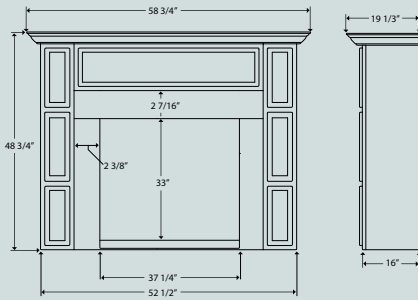


* See page 11 for Georgian™ side shelves and top shelf dimensions

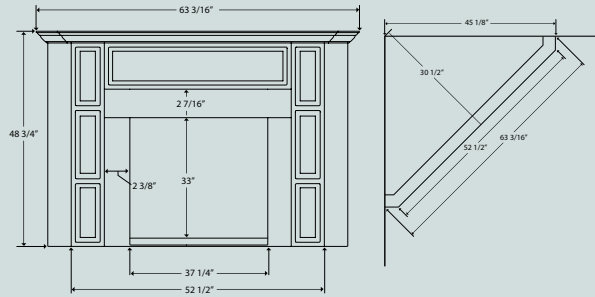
Mantel Dimensions

Georgian™

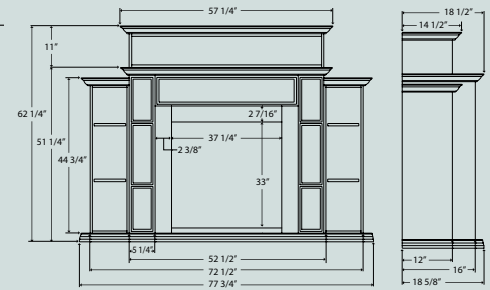
Cabinet Only



Corner (Mantel Only)



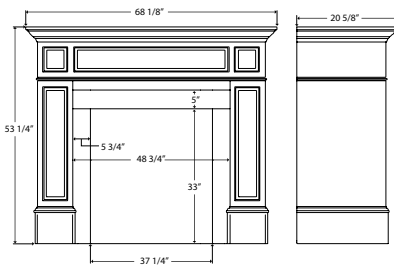
Multi Piece with side shelves, hearth pad and top shelf



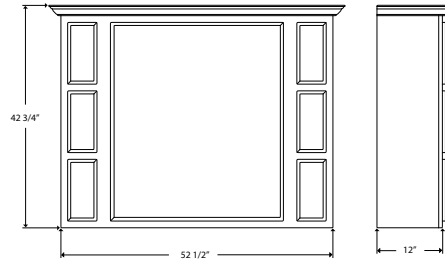
(Flat cabinet only. Not available for corner applications.)

36 Simcoe™

Cabinet Only

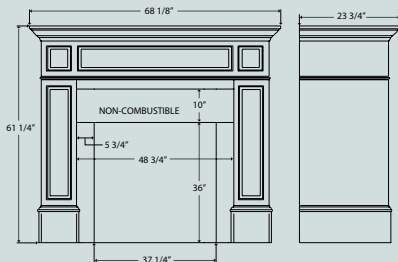


Upper Wall Kit

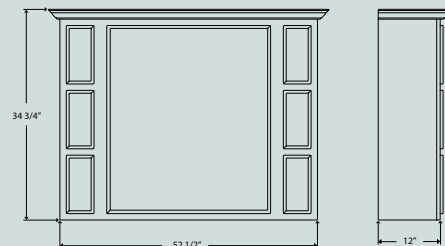


70 Simcoe™

Cabinet Only



Upper Wall Kit



Other Napoleon® Products



Fireplace Inserts



Outdoor Living Products



Wood Burning Fireplaces & Stoves



Cast Iron Gas Stoves



Waterfall Collection



Modern Collection



Electric Fireplaces



Direct Vent Gas Fireplaces



Gourmet Grills



- 103 Miller Drive, Crittenden, Kentucky, USA 41030
- 24 Napoleon Road, Barrie, Ontario, Canada L4M 4Y8
- 7200 Trans Canada Highway, Montreal, Quebec, Canada H4T 1A3

Call: 705-721-1212
www.napoleonfireplaces.com • www.fireplacedesignstudio.com

Consult your owner's manual for complete installation instructions. All specifications are subject to change without prior notice due to on-going product improvements. © Wolf Steel Ltd.

Walls and floors that are not straight or level must be considered during installation. Colours and textures shown may vary from actual product.

Authorized Dealer



ADBR850-01/2009