

PRODUCT CATALOG



Thermo-Rite[®]
THE ORIGINATORS OF
TEMPERED GLASS FIREPLACE ENCLOSURES

www.thermo-rite.com

A HISTORY OF EXCELLENCE

Founded in 1943 in Akron, Ohio, Thermo-Rite Manufacturing originated the tempered glass fireplace enclosure. In fact, Thermo-Rite was awarded the first United States Patent for tempered glass fireplace enclosures... a patent held exclusively by Thermo-Rite from 1946 to 1963. Even today, every Thermo-Rite product... without exception... is produced in our Akron, Ohio facility.

From our founding to the present, Thermo-Rite has been a market pacesetter. We began as a custom masonry door maker. Through continuous innovation, we were soon leading the industry in the production and popularization of high quality stock fireplace doors.

Over the years, Thermo-Rite evolved with a wide and varied offering of models, styles and sizes to satisfy our customers' needs for glass doors on custom masonry fireplaces, stock masonry fireplaces and many zero-clearance fireplaces. To please even the most discriminating customer, Thermo-Rite offers the industry's largest in-stock selection of distinctive styles and finishes with a wide range of sizes to fit any décor and application.

If a stock door just won't do, Thermo-Rite can custom-make a glass fireplace enclosure to suit any

specifications. Like our stock fireplace enclosures, our custom made fireplace enclosure options include anodized aluminum, steel, solid brass and brass-plated steel.

Thermo-Rite makes glass fireplace enclosures... exclusively. This single product focus enables us to offer quality fireplace enclosures... priced competitively...with on-time delivery... and, most importantly, service after-the-sale.

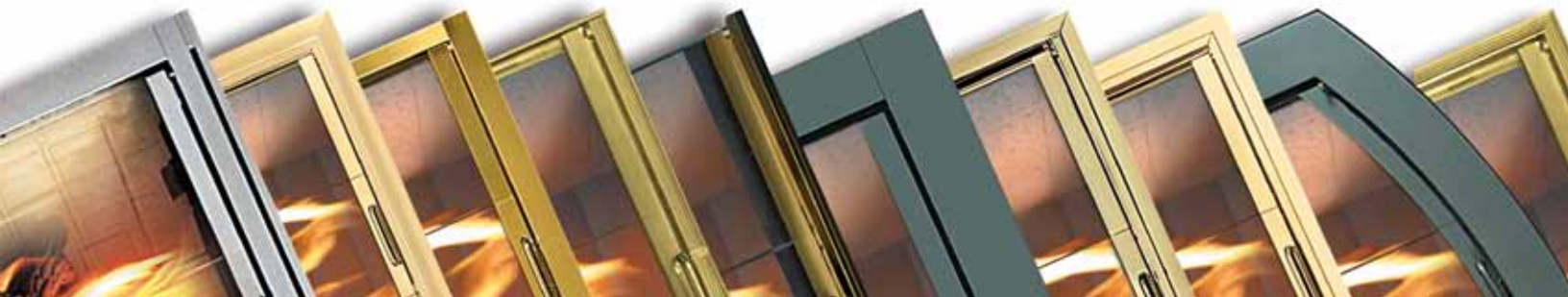
Another guiding principle that sets Thermo-Rite apart is its uncompromising commitment to quality materials and precision manufacturing. The design of Thermo-Rite fireplace enclosures are notable for their attention to detail which results in ease of installation, trouble-free operation and timeless beauty.

Every aspect of Thermo-Rite products... from design and manufacture... to assembly... final inspection... and packaging is monitored and controlled at our modern Akron facility to ensure easy, convenient installation, superior performance and lasting beauty.

**QUALITY...SERVICE...SUPPORT.
WE ARE THERMO-RITE.**



**100% USA-MADE
FIREPLACE PRODUCTS**



STOCK DOORS

STOCK MASONRY

Celebrity	4
Chalet.....	5
Reserve	6
Regal	7
Décor	8
Twin Panel Mesh	9
Clearview Mesh.....	10
Revere	11

STOCK ZERO-CLEARANCE

Z-Décor	12 & 13
Z-Door.....	14 & 15

CUSTOM DOORS

CUSTOM MASONRY

Ordering Custom Doors.....	16
Normandy	17
Chateau Collection.....	18
Direct-Vent Fireplace Accessory	19
Outdoor Patio Door.....	20
Cameo	21
Heritage	22
Heritage Arch.....	23
Phantom	24
Laser.....	25

CUSTOM DOORS

CUSTOM MASONRY cont.

Classic.....	26
Prism	27
Original.....	28
Park Avenue.....	29
Corner Units.....	30

CUSTOM ZERO-CLEARANCE

Special “Z”	31
Z-Track.....	32
Z-Laser	33
Z-Classic.....	34
Z-Phantom.....	35
Z-Heritage.....	36

ACCESSORIES

Heaters.....	37
Z-Strips, Mesh Curtain Replacement Panels, Suspension Bars, Install-Rite Door Kit.....	38
Handles, Riser Bars, Mesh Curtains, Mesh Doors.....	39

SUPPORT MATERIALS

Display Board.....	40
Types of Masonry & Warranty.....	41



CELEBRITY

Anodized Aluminum



Shown in Fine Textured Black.

Celebrity is an anodized aluminum enclosure with a 4" frame, full-swing bi-fold trackless doors, mesh curtain and bottom panel air-draft control.

STANDARD FINISHES – Fine Textured Black

Door Styles –	Available with FS2 bi-fold full swing trackless doors.
Standard Glass –	1/4" tempered bronze colored glass with lifetime warranty
Standard Features –	Bottom panel air-draft control, Heavy 19 gauge mesh curtain, comes installed.

SIZING CHART FOR THE CELEBRITY

FINISH CODES	MODEL NO.	DOOR STYLE	MESH	STOCK SIZES (WIDTH/HEIGHT)	WILL FIT WIDTHS	WILL FIT HEIGHTS
Fine Textured Black	CE3323	FS2: Bi-fold full swing trackless door	Mesh curtain included and installed with door.	33 1/2" x 23"	26 1/2" x 32 1/2"	18 3/4" x 22 1/2"
	CE3526			35 1/2" x 26"	28 1/2" x 34 1/2"	21 3/4" x 25 1/2"
	CE3529			35 1/2" x 29"	28 1/2" x 34 1/2"	24 3/4" x 28 1/2"
	CE4126			41 1/2" x 26"	34 1/2" x 40 1/2"	21 3/4" x 25 1/2"
	CE4129			41 1/2" x 29"	34 1/2" x 40 1/2"	24 3/4" x 28 1/2"
	CE4132			41 1/2" x 32"	34 1/2" x 40 1/2"	27 3/4" x 31 1/2"
	CE4729			47 1/2" x 29"	40 1/2" x 46 1/2"	24 3/4" x 28 1/2"
	CE4732			47 1/2" x 32"	40 1/2" x 46 1/2"	27 3/4" x 31 1/2"

HOW TO ORDER

• Select the model from the sizing chart (with the appropriate prefix) and size to fit. The opening widths in the above chart are based upon using standard mounting hardware for installation.

• Example of ordering a Celebrity stock door: CE4126.

CHALET

Anodized Aluminum

(Chalet discount applies)

The Chalet is an anodized aluminum glass fireplace enclosure with 2 3/4" top and side panels and an 11/16" bottom panel. This enclosure has clearview twin doors and opens a full 180°.

STANDARD FINISHES – Offered in Anodized Black only.

Door Styles –	Clearview Twin Doors Please note: Not available in bi-fold
Standard Glass –	1/4" tempered bronze colored glass with lifetime warranty
OPTIONS	
Mesh Options –	Heavy 19 gauge mesh curtain 1/8" flattened expanded steel, 25 gauge mesh door



Shown in Anodized Black.

SIZING CHART FOR THE CHALET

FINISH CODES	MODEL NO.	DOOR STYLE	WILL FIT WIDTHS	WILL FIT HEIGHTS	OVERALL FRAME SIZES (WIDTH/HEIGHT)
Anodized Black Only	CB3626CV1	CV1: Clearview Twin Doors	32" to 35"	23" to 25 3/8"	36" x 26"
	CB3628CV1		32" to 35"	25" to 27 3/8"	36" x 28"
	CB3630CV1		32" to 35"	27" to 29 3/8"	36" x 30"
	CB3928CV1		35" to 38"	25" to 27 3/8"	39" x 28"
	CB3930CV1		35" to 38"	27" to 29 3/8"	39" x 30"
	CB3932CV1		35" to 38"	29" to 31 3/8"	39" x 32"

HOW TO ORDER

- Select the model from the sizing chart (with the appropriate prefix and suffix code) and size to fit. The opening widths in the above chart are based upon using standard mounting hardware for installation. Additional overlap on the width of 1" per side or a total of 3" per side is available by ordering optional hardware pack 10740.
- Example of ordering a Chalet stock door: CB3626CV1.
- When using a mesh curtain, the maximum overlap on the height is 2" from the lintel and maximum overlap on the width is 3" on each side. Example of ordering: C-3626.
- When using a mesh door, the maximum overlap on the height is 2 3/4" and maximum overlap on the width is 3" on each side. Example: MD-3626.

RESERVE

Painted Aluminum

Reserve is an anodized aluminum glass fireplace enclosure with 2 3/4" top and side panels and an 11/16" bottom panel.



Shown in Grey Iron.

STANDARD FINISHES – Offered in Anodized Black	
Door Styles –	Available with CV2 bi-fold tracked doors or FS2 bi-fold full swing trackless doors.
Standard Glass –	1/4" tempered bronze colored glass with lifetime warranty
Glass Options –	Standard: Grey, Clear or Bronze; Beveled Glass: Bronze, Grey or Clear; Mirrored Glass: Bronze
OPTIONS	
Optional Glass Channel/ Handle Finishes –	Stainless, Antique, or Chrome
Mesh Options –	Heavy 19 gauge mesh curtain 1/8" flattened expanded steel, 25 gauge mesh door
Frame Widths –	Custom size widths (use Custom Order Form #2 in Retail Price List)

SIZING CHART FOR THE RESERVE

FINISH CODES	MODEL NO.	DOOR STYLE	WILL FIT WIDTHS	WILL FIT HEIGHTS	OVERALL FRAME SIZES (WIDTH/HEIGHT)		
Add one of the prefix codes below to basic model number	3022	Add one of the following codes as a suffix to basic model number.	26" to 29"	19" to 21 3/8"	30" x 22"		
	3024		26" to 29"	21" to 23 3/8"	30" x 24"		
B: Anodized Black	3026	CV1: ClearView Twin Door* CV2: Bi-fold tracked door FS2: Bi-fold full swing trackless door	26" to 29"	23" to 25 3/8"	30" x 26"		
	3028		26" to 29"	25" to 27 3/8"	30" x 28"		
	3030		26" to 29"	27" to 29 3/8"	30" x 30"		
	3032		26" to 29"	29" to 31 3/8"	30" x 32"		
	3322		29" to 32"	19" to 21 3/8"	33" x 22"		
	3324		29" to 32"	21" to 23 3/8"	33" x 24"		
	3326		29" to 32"	23" to 25 3/8"	33" x 26"		
	3328		29" to 32"	25" to 27 3/8"	33" x 28"		
	3330		29" to 32"	27" to 29 3/8"	33" x 30"		
	3332		29" to 32"	29" to 31 3/8"	33" x 32"		
OPTIONAL FINISHES:	3622		32" to 35"	19" to 21 3/8"	36" x 22"		
	3624		32" to 35"	21" to 23 3/8"	36" x 24"		
	3626		32" to 35"	23" to 25 3/8"	36" x 26"		
	3628		32" to 35"	25" to 27 3/8"	36" x 28"		
	3630		32" to 35"	27" to 29 3/8"	36" x 30"		
	3632		32" to 35"	29" to 31 3/8"	36" x 32"		
	3922		35" to 38"	19" to 21 3/8"	39" x 22"		
	3924		35" to 38"	21" to 23 3/8"	39" x 24"		
	3926		35" to 38"	23" to 25 3/8"	39" x 26"		
	3928		35" to 38"	25" to 27 3/8"	39" x 28"		
3930	35" to 38"	27" to 29 3/8"	39" x 30"				
3932	35" to 38"	29" to 31 3/8"	39" x 32"				
BZ: Bronze Iron CU: Copper FTB: Fine Textured Brown GAV: Gold Antique Vein GI: Grey Iron MI: Moss Iron NI: Natural Iron NRST: New Rust OCPR: Old Copper OI: Old Iron SAV: Silver Antique Vein TB: Fine Textured Black TCH: Textured Chestnut TR: Textured Rust	4222		38" to 41"	19" to 21 3/8"	42" x 22"		
	4224		38" to 41"	21" to 23 3/8"	42" x 24"		
	4226		38" to 41"	23" to 25 3/8"	42" x 26"		
	4228		38" to 41"	25" to 27 3/8"	42" x 28"		
	4230		38" to 41"	27" to 29 3/8"	42" x 30"		
	4232		38" to 41"	29" to 31 3/8"	42" x 32"		
	4522		41" to 44"	19" to 21 3/8"	45" x 22"		
	4524		41" to 44"	21" to 23 3/8"	45" x 24"		
	4526		41" to 44"	23" to 25 3/8"	45" x 26"		
	4528		41" to 44"	25" to 27 3/8"	45" x 28"		
	4530		41" to 44"	27" to 29 3/8"	45" x 30"		
	4532		41" to 44"	29" to 31 3/8"	45" x 32"		
			4822		44" to 47"	19" to 21 3/8"	48" x 22"
			4824		44" to 47"	21" to 23 3/8"	48" x 24"
			4826		44" to 47"	23" to 25 3/8"	48" x 26"
			4828		44" to 47"	25" to 27 3/8"	48" x 28"
4830		44" to 47"	27" to 29 3/8"		48" x 30"		
4832		44" to 47"	29" to 31 3/8"		48" x 32"		
	5122	* Call for quote	47" to 50"	19" to 21 3/8"	51" x 22"		
	5124		47" to 50"	21" to 23 3/8"	51" x 24"		
	5126		47" to 50"	23" to 25 3/8"	51" x 26"		
	5128		47" to 50"	25" to 27 3/8"	51" x 28"		
	5130		47" to 50"	27" to 29 3/8"	51" x 30"		
	5132		47" to 50"	29" to 31 3/8"	51" x 32"		
	5422	Select a door style adding a suffix code to the model number when ordering. Example CV1, CV2 or FS2.	50" to 53"	19" to 21 3/8"	54" x 22"		
	5424		50" to 53"	21" to 23 3/8"	54" x 24"		
	5426		50" to 53"	23" to 25 3/8"	54" x 26"		
	5428		50" to 53"	25" to 27 3/8"	54" x 28"		
	5430		50" to 53"	27" to 29 3/8"	54" x 30"		
	5432		50" to 53"	29" to 31 3/8"	54" x 32"		

*Use custom order form #2 from the Retail Price List. For custom heights over 32" consult factory.

HOW TO ORDER

- Select the model from the sizing chart (with the appropriate prefix and suffix code) and size to fit. The opening widths in the above chart are based upon using standard mounting hardware for installation. Additional overlap on the width of 1" per side or a total of 3" per side is available by ordering optional hardware pack 10740.

- Example of ordering a Reserve stock door in Copper finish: RE-CU-3322FS2
- When using a mesh curtain, the maximum overlap on the height is 2" from the lintel and maximum overlap on the width is 3" on each side. Example of ordering: C-3322
- When using a mesh door, the maximum overlap on the height is 2 3/4" and maximum overlap on the width is 3" on each side. Example: MD-3322.

The Regal is a brass plated enclosure with 3" side panels, 1 1/4" top cap, 3" top and bottom panels (filigree), and a center draft control.

REGAL

Brass Plated



Shown in Antique Brass.

STANDARD FINISHES – Antique, Black, Black & Polished, Black & Antique, Polished Brass Finish.	
Door Styles –	Available with CV2 bi-fold tracked doors or FS2 bi-fold full swing trackless doors.
Standard Glass –	1/4" tempered bronze colored glass with lifetime warranty
Glass Options –	Standard: Grey, Clear or Bronze Beveled Glass: Bronze, Grey or Clear Mirrored Glass: Bronze
OPTIONS	
Mesh Options –	Heavy 19 gauge mesh curtain 1/8" flattened expanded steel, 25 gauge mesh door
Optional Riser Bars –	Regal riser bars fit under the enclosure and are used with stock doors to increase the height of the enclosure.

SIZING CHART FOR THE REGAL

FINISH CODES	MODEL NO.	DOOR STYLE	WILL FIT WIDTHS	WILL FIT HEIGHTS	OVERALL FRAME SIZES (WIDTH/HEIGHT)
Add one of the prefix codes below to basic model number SA: Antique SB: Black SM: Black&Polished SMA: Black&Antique S: Polished Brass	3323	Add one of the following codes as a suffix to basic model number:	26 1/2" to 32 1/2"	20" to 23 1/4"	33 5/8" x 23 3/4"
	3327		26 1/2" to 32 1/2"	24" to 27 1/4"	33 5/8" x 27 3/4"
	3331		26 1/2" to 32 1/2"	28" to 31 1/4"	33 5/8" x 31 3/4"
	3623	CV2: Bi-fold tracked door	29 1/2" to 35 1/2"	20" to 23 1/4"	36 5/8" x 23 3/4"
	3627		29 1/2" to 35 1/2"	24" to 27 1/4"	36 5/8" x 27 3/4"
	3631		29 1/2" to 35 1/2"	28" to 31 1/4"	36 5/8" x 31 3/4"
	4223	FS2: Bi-fold full swing trackless door	35 1/2" to 41 1/2"	20" to 23 1/4"	42 5/8" x 23 3/4"
	4227		35 1/2" to 41 1/2"	24" to 27 1/4"	42 5/8" x 27 3/4"
	4231		35 1/2" to 41 1/2"	28" to 31 1/4"	42 5/8" x 31 3/4"
	4827		41 1/2" to 47 1/2"	24" to 27 1/4"	48 5/8" x 27 3/4"
	4831		41 1/2" to 47 1/2"	28" to 31 1/4"	48 5/8" x 31 3/4"

SIZING CHART FOR RISER BARS

WIDTH	HEIGHT	POLISHED BRASS (MODEL)	ANTIQUe BRASS (MODEL)	BLACK (MODEL)
33 5/8"	1 1/4"	S-33-1	SA-33-1	SB-33-1
36 5/8"	1 1/4"	S-36-1	SA-36-1	SB-36-1
42 5/8"	1 1/4"	S-42-1	SA-42-1	SB-42-1
48 5/8"	1 1/4"	S-48-1	SA-48-1	SB-48-1

HOW TO ORDER

- From the standard items chart above, select a finish adding a prefix code to the model number when ordering. Example: S, SA, SB, SM or SMA
- Select a door style adding a suffix code to the model number when ordering. Example: CV2 or FS2
- Select the model from the sizing chart (with the appropriate prefix and suffix code)

and size to fit. When using a mesh curtain the maximum overlap on the height is 3 3/4". **When using mesh doors the maximum overlap on the height is 4 1/4", and 3" on each side. Example: S3627FS2**

- Decide on any of the optional accessories that fit your needs. To order optional mesh add "C" for curtain or "MD" for mesh doors to basic model number. Example: C3627 or MD3627

DÉCOR

Anodized Aluminum

The Décor is an anodized aluminum enclosure with 2 3/4" top and side panels, and a 11/16" bottom panel.



Shown in Natural Iron.

STANDARD FINISHES – Polished Brass, Black	
Door Styles –	Available with CV2 bi-fold tracked doors or FS2 bi-fold full swing trackless doors.
Standard Glass –	1/4" tempered bronze colored glass with lifetime warranty
Glass Options –	Standard: Grey, Clear or Bronze; Beveled Glass: Bronze, Grey or Clear; Mirrored Glass: Bronze
OPTIONS	
Optional Glass Channel/ Handle Finishes –	Stainless, Antique, Chrome or Pewter
Mesh Options –	Heavy 19 gauge mesh curtain 1/8" flattened expanded steel, 25 gauge mesh door
Frame Inserts –	Polished, Black, Antique, Satin, Copper, Brushed Silver, Hammered Black, Hammered Polished
Frame Widths –	Custom size widths (use Custom Order Form #2 in Retail Price List)

SIZING CHART FOR THE DÉCOR

FINISH CODES	MODEL NO.	DOOR STYLE	WILL FIT WIDTHS	WILL FIT HEIGHTS	OVERALL FRAME SIZES (WIDTH/HEIGHT)
Add one of the prefix codes below to basic model number D: Polished Brass DB: Black	3022 3024 3026 3028 3030 3032	Add one of the following codes as a suffix to basic model number CV2: Bi-fold tracked door FS2: Bi-fold full swing trackless door	26" to 29" 26" to 29" 26" to 29" 26" to 29" 26" to 29" 26" to 29"	19" to 21 3/8" 21" to 23 3/8" 23" to 25 3/8" 25" to 27 3/8" 27" to 29 3/8" 29" to 31 3/8"	30" x 22" 30" x 24" 30" x 26" 30" x 28" 30" x 30" 30" x 32"
	3322 3324 3326 3328 3330 3332		29" to 32" 29" to 32" 29" to 32" 29" to 32" 29" to 32" 29" to 32"	19" to 21 3/8" 21" to 23 3/8" 23" to 25 3/8" 25" to 27 3/8" 27" to 29 3/8" 29" to 31 3/8"	33" x 22" 33" x 24" 33" x 26" 33" x 28" 33" x 30" 33" x 32"
OPTIONAL FINISHES: BZ – Bronze Iron CU – Copper FTB – Fine Textured Brown GAV – Gold Antique Vein GI – Grey Iron MI – Moss Iron NI – Natural Iron NRST – New Rust OCPR – Old Copper OI – Old Iron SAV – Silver Antique Vein TB – Fine Textured Black TCH – Textured Chestnut TR – Textured Rust	3622 3624 3626 3628 3630 3632	Select a door style adding a suffix code to the model number when ordering. Example CV2 or FS2.	32" to 35" 32" to 35" 32" to 35" 32" to 35" 32" to 35" 32" to 35"	19" to 21 3/8" 21" to 23 3/8" 23" to 25 3/8" 25" to 27 3/8" 27" to 29 3/8" 29" to 31 3/8"	36" x 22" 36" x 24" 36" x 26" 36" x 28" 36" x 30" 36" x 32"
	3922 3924 3926 3928 3930 3932		35" to 38" 35" to 38" 35" to 38" 35" to 38" 35" to 38" 35" to 38"	19" to 21 3/8" 21" to 23 3/8" 23" to 25 3/8" 25" to 27 3/8" 27" to 29 3/8" 29" to 31 3/8"	39" x 22" 39" x 24" 39" x 26" 39" x 28" 39" x 30" 39" x 32"
From the standard items chart above, select a finish adding a prefix code to the model number when ordering. Example D or DB.	4222 4224 4226 4228 4230 4232	Select a door style adding a suffix code to the model number when ordering. Example CV2 or FS2.	38" to 41" 38" to 41" 38" to 41" 38" to 41" 38" to 41" 38" to 41"	19" to 21 3/8" 21" to 23 3/8" 23" to 25 3/8" 25" to 27 3/8" 27" to 29 3/8" 29" to 31 3/8"	42" x 22" 42" x 24" 42" x 26" 42" x 28" 42" x 30" 42" x 32"
	4522 4524 4526 4528 4530 4532		41" to 44" 41" to 44" 41" to 44" 41" to 44" 41" to 44" 41" to 44"	19" to 21 3/8" 21" to 23 3/8" 23" to 25 3/8" 25" to 27 3/8" 27" to 29 3/8" 29" to 31 3/8"	45" x 22" 45" x 24" 45" x 26" 45" x 28" 45" x 30" 45" x 32"
	4822 4824 4826 4828 4830 4832	Select a door style adding a suffix code to the model number when ordering. Example CV2 or FS2.	44" to 47" 44" to 47" 44" to 47" 44" to 47" 44" to 47" 44" to 47"	19" to 21 3/8" 21" to 23 3/8" 23" to 25 3/8" 25" to 27 3/8" 27" to 29 3/8" 29" to 31 3/8"	48" x 22" 48" x 24" 48" x 26" 48" x 28" 48" x 30" 48" x 32"
	5122 5124 5126 5128 5130 5132		47" to 50" 47" to 50" 47" to 50" 47" to 50" 47" to 50" 47" to 50"	19" to 21 3/8" 21" to 23 3/8" 23" to 25 3/8" 25" to 27 3/8" 27" to 29 3/8" 29" to 31 3/8"	51" x 22" 51" x 24" 51" x 26" 51" x 28" 51" x 30" 51" x 32"
	5422 5424 5426 5428 5430 5432		50" to 53" 50" to 53" 50" to 53" 50" to 53" 50" to 53" 50" to 53"	19" to 21 3/8" 21" to 23 3/8" 23" to 25 3/8" 25" to 27 3/8" 27" to 29 3/8" 29" to 31 3/8"	54" x 22" 54" x 24" 54" x 26" 54" x 28" 54" x 30" 54" x 32"

HOW TO ORDER

- Select the model from the sizing chart (with the appropriate prefix and suffix code) and size to fit. The opening widths in the above chart are based upon using standard mounting hardware for installation. Additional overlap on the width of 1" per side or a total of 3" per side is available by ordering optional hardware pack 10740.
- Example of ordering a Décor stock door: D3322FS2
- When using a mesh curtain, the maximum overlap on the height is 2" from the lintel and maximum overlap on the width is 3" on each side. Example of ordering: C-3322
- When using a mesh door, the maximum overlap on the height is 2 3/4" and maximum overlap on the width is 3" on each side. Example: MD-3322

TWIN PANEL MESH DOOR

The Twin Panel Mesh Door has a framework constructed of anodized aluminum with 2 3/4" top and side panels and an 11/16" bottom panel. The twin panel mesh door features a 1/8" flattened, expanded 25 gauge steel mesh securely mounted in an anodized aluminum-extruded frame.

STANDARD FINISH – Anodized Black



Shown in Bronze Iron.

-sizing chart for the twin panel mesh door

FINISH CODES	MODEL NO.	DOOR STYLE	WILL FIT WIDTHS	WILL FIT HEIGHTS	OVERALL FRAME SIZES (WIDTH/HEIGHT)
Add one of the prefix codes below to basic model number OPTIONAL FINISHES: BZ – Bronze Iron CU – Copper FTB – Fine Textured Brown GAV – Gold Antique Vein GI – Grey Iron MI – Moss Iron NI – Natural Iron NRST – New Rust OCPR – Old Copper OI – Old Iron SAV – Silver Antique Vein TB – Fine Textured Black TCH – Textured Chestnut TR – Textured Rust	3022 3024 3026 3028 3030 3032	Add the following code as a suffix to the basic model number TPM: Twin Panel Mesh Door	26" to 29" 26" to 29" 26" to 29" 26" to 29" 26" to 29" 26" to 29"	19" to 21 3/8" 21" to 23 3/8" 23" to 25 3/8" 25" to 27 3/8" 27" to 29 3/8" 29" to 31 3/8"	30" x 22" 30" x 24" 30" x 26" 30" x 28" 30" x 30" 30" x 32"
	3322 3324 3326 3328 3330 3332		29" to 32" 29" to 32" 29" to 32" 29" to 32" 29" to 32" 29" to 32"	19" to 21 3/8" 21" to 23 3/8" 23" to 25 3/8" 25" to 27 3/8" 27" to 29 3/8" 29" to 31 3/8"	33" x 22" 33" x 24" 33" x 26" 33" x 28" 33" x 30" 33" x 32"
	3622 3624 3626 3628 3630 3632		32" to 35" 32" to 35" 32" to 35" 32" to 35" 32" to 35" 32" to 35"	19" to 21 3/8" 21" to 23 3/8" 23" to 25 3/8" 25" to 27 3/8" 27" to 29 3/8" 29" to 31 3/8"	36" x 22" 36" x 24" 36" x 26" 36" x 28" 36" x 30" 36" x 32"
	3922 3924 3926 3928 3930 3932		35" to 38" 35" to 38" 35" to 38" 35" to 38" 35" to 38" 35" to 38"	19" to 21 3/8" 21" to 23 3/8" 23" to 25 3/8" 25" to 27 3/8" 27" to 29 3/8" 29" to 31 3/8"	39" x 22" 39" x 24" 39" x 26" 39" x 28" 39" x 30" 39" x 32"
	4222 4224 4226 4228 4230 4232		38" to 41" 38" to 41" 38" to 41" 38" to 41" 38" to 41" 38" to 41"	19" to 21 3/8" 21" to 23 3/8" 23" to 25 3/8" 25" to 27 3/8" 27" to 29 3/8" 29" to 31 3/8"	42" x 22" 42" x 24" 42" x 26" 42" x 28" 42" x 30" 42" x 32"
	4522 4524 4526 4528 4530 4532		41" to 44" 41" to 44" 41" to 44" 41" to 44" 41" to 44" 41" to 44"	19" to 21 3/8" 21" to 23 3/8" 23" to 25 3/8" 25" to 27 3/8" 27" to 29 3/8" 29" to 31 3/8"	45" x 22" 45" x 24" 45" x 26" 45" x 28" 45" x 30" 45" x 32"
	4822 4824 4826 4828 4830 4832		44" to 47" 44" to 47" 44" to 47" 44" to 47" 44" to 47" 44" to 47"	19" to 21 3/8" 21" to 23 3/8" 23" to 25 3/8" 25" to 27 3/8" 27" to 29 3/8" 29" to 31 3/8"	48" x 22" 48" x 24" 48" x 26" 48" x 28" 48" x 30" 48" x 32"
	5122 5124 5126 5128 5130 5132		47" to 50" 47" to 50" 47" to 50" 47" to 50" 47" to 50" 47" to 50"	19" to 21 3/8" 21" to 23 3/8" 23" to 25 3/8" 25" to 27 3/8" 27" to 29 3/8" 29" to 31 3/8"	51" x 22" 51" x 24" 51" x 26" 51" x 28" 51" x 30" 51" x 32"
	5422 5424 5426 5428 5430 5432		50" to 53" 50" to 53" 50" to 53" 50" to 53" 50" to 53" 50" to 53"	19" to 21 3/8" 21" to 23 3/8" 23" to 25 3/8" 25" to 27 3/8" 27" to 29 3/8" 29" to 31 3/8"	54" x 22" 54" x 24" 54" x 26" 54" x 28" 54" x 30" 54" x 32"

HOW TO ORDER

• Select the model number from the sizing chart. Then add a prefix of RE for the Reserve door or D for the Decor door, add a color code, and the suffix of TPM for the Twin Panel Mesh Door. Example: The model number REAG3322TPM would designate a Reserve door in Antique Gold Vein in model number 3322 with a Twin Panel Mesh Door.

• Please note: The opening widths in the above chart are based upon using standard mounting hardware for installation. Contact the factory for a quote for door styles other than the Reserve and Decor which are featured here.

CLEARVIEW MESH DOOR



Reserve Model shown in Anodized Black.



Decor Model shown in Copper.

The ClearView Mesh Door has a framework constructed of anodized aluminum with a 2 3/4" top and side panels and an 11/16" bottom panel. The one-piece mesh door features a 1/8" flattened, expanded 25 gauge steel mesh securely mounted in an anodized aluminum-extruded frame.

STANDARD FINISH – Anodized Black

SIZING CHART FOR THE CLEARVIEW MESH DOOR

FINISH CODES	MODEL NO.	DOOR STYLE	WILL FIT WIDTHS	WILL FIT HEIGHTS	OVERALL FRAME SIZES (WIDTH/HEIGHT)
Add one of the prefix codes below to basic model number	3022	Add the following code as a suffix to the basic model number	26" to 29"	19" to 21 3/8"	30" x 22"
	3024		26" to 29"	21" to 23 3/8"	30" x 24"
OPTIONAL FINISHES:	3026	CMD: ClearView Mesh Door	26" to 29"	23" to 25 3/8"	30" x 26"
	3028		26" to 29"	25" to 27 3/8"	30" x 28"
	3030		26" to 29"	27" to 29 3/8"	30" x 30"
	3032		26" to 29"	29" to 31 3/8"	30" x 32"
	3322		29" to 32"	19" to 21 3/8"	33" x 22"
BZ – Bronze Iron	3324		29" to 32"	21" to 23 3/8"	33" x 24"
CU – Copper	3326		29" to 32"	23" to 25 3/8"	33" x 26"
FTB – Fine Textured Brown	3328		29" to 32"	25" to 27 3/8"	33" x 28"
GAV – Gold Antique Vein	3330		29" to 32"	27" to 29 3/8"	33" x 30"
GI – Grey Iron	3332		29" to 32"	29" to 31 3/8"	33" x 32"
	3622		32" to 35"	19" to 21 3/8"	36" x 22"
MI – Moss Iron	3624		32" to 35"	21" to 23 3/8"	36" x 24"
NI – Natural Iron	3626		32" to 35"	23" to 25 3/8"	36" x 26"
NRST – New Rust	3628		32" to 35"	25" to 27 3/8"	36" x 28"
OCPR – Old Copper	3630		32" to 35"	27" to 29 3/8"	36" x 30"
OI – Old Iron	3632		32" to 35"	29" to 31 3/8"	36" x 32"
	3922		35" to 38"	19" to 21 3/8"	39" x 22"
SAV – Silver Antique Vein	3924		35" to 38"	21" to 23 3/8"	39" x 24"
TB – Fine Textured Black	3926		35" to 38"	23" to 25 3/8"	39" x 26"
TCH – Textured Chestnut	3928		35" to 38"	25" to 27 3/8"	39" x 28"
TR – Textured Rust	3930		35" to 38"	27" to 29 3/8"	39" x 30"
	3932		35" to 38"	29" to 31 3/8"	39" x 32"
	4222		38" to 41"	19" to 21 3/8"	42" x 22"
	4224		38" to 41"	21" to 23 3/8"	42" x 24"
	4226		38" to 41"	23" to 25 3/8"	42" x 26"
	4228		38" to 41"	25" to 27 3/8"	42" x 28"
	4230		38" to 41"	27" to 29 3/8"	42" x 30"
	4232		38" to 41"	29" to 31 3/8"	42" x 32"
	4522		41" to 44"	19" to 21 3/8"	45" x 22"
	4524		41" to 44"	21" to 23 3/8"	45" x 24"
	4526		41" to 44"	23" to 25 3/8"	45" x 26"
	4528		41" to 44"	25" to 27 3/8"	45" x 28"
	4530		41" to 44"	27" to 29 3/8"	45" x 30"
	4532		41" to 44"	29" to 31 3/8"	45" x 32"
	4822		44" to 47"	19" to 21 3/8"	48" x 22"
	4824		44" to 47"	21" to 23 3/8"	48" x 24"
	4826		44" to 47"	23" to 25 3/8"	48" x 26"
	4828		44" to 47"	25" to 27 3/8"	48" x 28"
	4830		44" to 47"	27" to 29 3/8"	48" x 30"
	4832		44" to 47"	29" to 31 3/8"	48" x 32"
	5122		47" to 50"	19" to 21 3/8"	51" x 22"
	5124		47" to 50"	21" to 23 3/8"	51" x 24"
	5126		47" to 50"	23" to 25 3/8"	51" x 26"
	5128		47" to 50"	25" to 27 3/8"	51" x 28"
	5130		47" to 50"	27" to 29 3/8"	51" x 30"
	5132		47" to 50"	29" to 31 3/8"	51" x 32"
	5422		50" to 53"	19" to 21 3/8"	54" x 22"
	5424		50" to 53"	21" to 23 3/8"	54" x 24"
	5426		50" to 53"	23" to 25 3/8"	54" x 26"
	5428		50" to 53"	25" to 27 3/8"	54" x 28"
	5430		50" to 53"	27" to 29 3/8"	54" x 30"
	5432		50" to 53"	29" to 31 3/8"	54" x 32"

HOW TO ORDER

• Select the model number from the sizing chart. Then add a prefix of RE for the Reserve door or D for the Decor door, add a color code, and the suffix of CMD for the ClearView Mesh Door. Example: The model number REL3322 would designate a Reserve door in Copper in model number 3322 with a ClearView Mesh Door.

• Please note: The opening widths in the above chart are based upon using standard mounting hardware for installation. Contact the factory for a quote for door styles other than the Reserve and Decor which are featured here.

REVERE

Brass Plated

The Revere is a brass plated enclosure with 2 1/2" side panels, 3" top and bottom panels and a hidden center draft control.



Shown in Black and Polished.

STANDARD FINISHES – Antique, Black, Black & Polished, Black & Antique, Polished Brass Finish.	
Door Styles –	Available with CV2 bi-fold tracked doors or FS2 bi-fold full swing trackless doors.
Standard Glass –	1/4" tempered bronze colored glass with lifetime warranty
Glass Options –	Standard: Grey, Clear or Bronze Beveled Glass: Bronze, Grey or Clear Mirrored Glass: Bronze
OPTIONS	
Mesh Options –	Heavy 19 gauge mesh curtain 1/8" flattened expanded steel, 25 gauge mesh door

SIZING CHART FOR THE REVERE

FINISH CODES	MODEL NO.	DOOR STYLE	WILL FIT WIDTHS	WILL FIT HEIGHTS	OVERALL FRAME SIZES (WIDTH/HEIGHT)
Add one of the prefix codes below to basic model number RA: Antique RB: Black	3525	Add one of the following codes as a suffix to basic model number: CV2: Bi-fold tracked door FS2: Bi-fold full swing trackless door	29" to 34"	22 7/8" to 25 3/8"	35 1/2" x 25 7/8"
	3527		29" to 34"	24 7/8" to 27 3/8"	35 1/2" x 27 7/8"
	3823		32" to 37"	20 7/8" to 23 3/8"	38 1/2" x 23 7/8"
	3825		32" to 37"	22 7/8" to 25 3/8"	38 1/2" x 25 7/8"
	3827		32" to 37"	24 7/8" to 27 3/8"	38 1/2" x 27 7/8"
	3829		32" to 37"	26 7/8" to 29 3/8"	38 1/2" x 29 7/8"
	3831		32" to 37"	28 7/8" to 31 3/8"	38 1/2" x 31 7/8"
	4127		35" to 40"	24 7/8" to 27 3/8"	41 1/2" x 27 7/8"
	4129		35" to 40"	26 7/8" to 29 3/8"	41 1/2" x 29 7/8"
	4131		35" to 40"	28 7/8" to 31 3/8"	41 1/2" x 31 7/8"
	4427		38" to 43"	24 7/8" to 27 3/8"	44 1/2" x 27 7/8"
	4429		38" to 43"	26 7/8" to 29 3/8"	44 1/2" x 29 7/8"
4431	38" to 43"	28 7/8" to 31 3/8"	44 1/2" x 31 7/8"		

HOW TO ORDER

- From the standard items chart above, select a finish adding a prefix code to the model number when ordering. Example: R, RA or RM
- Select a door style adding a suffix code to the model number when ordering. Example: CV2 or FS2
- Select the model from the sizing chart (with the appropriate prefix and suffix

code) and size to fit. **When using a mesh curtain the maximum overlap on the height is 3". When using mesh doors, the maximum overlap on the height is 3 1/2", and 3 1/4" on each side. Example: R3827CV2**

- Decide on any of the optional accessories that fit your needs. To order optional mesh add "C" for curtain or "MD" for mesh doors to basic model number. Example: C3827 or MD3827

Z-DÉCOR

Anodized Aluminum



Shown in Black Frame with Stainless Steel Doors.

FOR MANUFACTURER'S MODELS NOT LISTED

Contact the customer service department with the manufacturer, fireplace model, and the opening dimensions to see if a stock door is available. If a stock door is not available, complete custom order form #7 in separate price list.

Z-Décor is an anodized aluminum enclosure with a 3/4" wide frame. It is available as an inside fit only. Air space is allowed on the sides, top, bottom or combination to provide the same air flow as the manufacturer of the zero clearance fireplace.

STANDARD FINISHES – Black, Polished Brass Finish.	
Optional Glass Channel/ Handle Finishes –	Stainless, Antique, or Chrome
Door Styles –	Available with CV2 bi-fold tracked doors or FS2 bi-fold full swing trackless doors.
Standard Glass –	1/4" tempered bronze colored glass with lifetime warranty
Glass Options –	Standard: Grey, Clear or Bronze Beveled Glass: Bronze, Grey or Clear Mirrored Glass: Bronze
OPTIONS	
Mesh Options –	1/8" flattened expanded steel, 25 gauge mesh door (only available in FS2)
Frame Inserts –	Polished, Black, Brushed Silver, Satin

Twin Panel Mesh Door available in the Z-Décor model.

-sizing chart for the Z-Décor

FINISH	BRAND	MANUFACTURER'S MODEL NO.	AIR SPACE ON SIDES	MODEL	DOOR STYLE
Add one of the prefix codes below to basic model number ZDB: Black ZD: Polished Brass OPTIONAL FINISHES: BZ – Bronze Iron CU – Copper FTB – Fine Textured Brown GAV – Gold Antique Vein GI – Grey Iron MI – Moss Iron NI – Natural Iron NRST – New Rust OCPR – Old Copper OI – Old Iron SAV – Silver Antique Vein TB – Fine Textured Black TCH – Textured Chestnut TR – Textured Rust	FMI	3600, 3601	YES	FM80	Add one of the following codes as a suffix to basic model number CV2: Bi-fold tracked door FS2: Bi-fold full swing trackless door
		36E, 36EC-II (opening 23-1/4" high - older model)	YES	FM81A	
		36E, 36EC-II (opening 22-1/8" high - current)	NO	FM81	
		42E, 42EC	YES	FM86	
		42MC	NO	FM85	
		B36, B36L	NO	FM82	
		B42, B42L	NO	FM87	
		C36	NO	FM83	
		C42	NO	FM88	
		Heatilator	EL36, EL36I, E36, EC36, HB36A, HB36AI, HR36, HC36	YES	
	EL42, EL42I, E42, EC42, HB42A, HB42AI		YES	HE35	
	E39, EC39		YES	HE31	
	HD36B, HD36BI		YES	HE33	
	HD42B, HD42BI		YES	HE36	
	TD36B, DX36, DX36AI, T588, ST36D, T3600		NO	HE32	
	TD42B, DX42, DX42AI, ST42A		NO	HE37	
	T768, T4200		NO	HE38	
	A36RH, A36R, A36C, A36CH		NO	HE34	
	A42RH, A42R, A42C, A42CH		NO	HE39	
	Heat-N-Glo	T4800	YES	HE40	
		CFX36T	NO	HG94	
		EM41, RH41, RS41	YES	HG90	
		EM42, EM42AT	NO	HG92	
		HST-42, HST-42GD, HST-42C, HST-42CGD, HST-42D	YES	HG91	
		EM48, HST48, RHW51	YES	HG95	
HST48D		NO	HG99		
EM-415		NO	HG97		
EM-48ST, EM-485, RHW-485		NO	HG98		
RHW-41, RSW-41		YES	HG93		
Majestic	RHW-47, RSW-47	YES	HG96		
	RHW-56	YES	HG89		
	MBU36, MBU36I, MBUC36I, MB36, MST36, MBUC36	YES	MJ10		
	RC36, R36, MSF36, BT836	YES	MJ15		
	MBU42, MBUC42, MR42, MRC42, MBU42I, MBUC42I, BT842	YES	MJ15		

SIZING CHART FOR THE Z-DÉCOR (CONTINUED)

FINISH	BRAND	MANUFACTURER'S MODEL NO.	AIR SPACE ON SIDES	MODEL	DOOR STYLE
Add one of the prefix codes below to basic model number ZDB: Black ZD: Polished Brass OPTIONAL FINISHES: BZ – Bronze Iron CU – Copper FTB – Fine Textured Brown GAV – Gold Antique Vein GI – Grey Iron MI – Moss Iron NI – Natural Iron NRST – New Rust OCPR – Old Copper OI – Old Iron SAV – Silver Antique Vein TB – Fine Textured Black TCH – Textured Chestnut TR – Textured Rust	Majestic	MSF42	YES	MJ16	Add one of the following codes as a suffix to basic model number CV2: Bi-fold tracked door FS2: Bi-fold full swing trackless door
		MR42A, MRC42A	NO	MJ17	
		SHR42A	NO	MJ23	
		SH42	NO	MJ18	
		SHR52	NO	MJ24	
		SHR36	NO	MJ07	
		SHR42	NO	MJ08	
		SHR48	NO	MJ06	
		M42, MD42	YES	MJ19	
		M36, MD36	YES	MJ12	
	STR36, BR36, BC36, SR36, SC36, NVBR36, NVBC36	NO	MJ09		
	STR42, BR42, BC42, SR42, SC42, NVSR42, NVSC42, NVBC42	NO	MJ13		
	SR36A, SC36A	NO	MJ21		
	SR42A, SC42A	NO	MJ22		
	Marco	B36CF(792774/E), B36CFI(792779/E), B36HC(792775/E), B36HCI(792776/E), BM36HC(792777), BM36HCD(792778)	YES	MC60	
		B41CF(792851 / 62), B41HC(792847 / 63), B41HCI(792857 / 64)	YES	MC65	
		C36CF(792856), C36HC(792759), C36HCI(792760)8			
		CM36HC(7927782), CM36HCD(792783)	YES	MC61	
		C41CF(792848), C41HC(792849), C41HCD(792850)	YES	MC66	
		D36CF(792807), D36CFI(792808), D36HC(792809), D36HCI(792810), D36TCF(792805), D36TCFI(792806), D36THC(792811), D36THCI(792812)	NO	MC62	
		D41CF, D41CFI, D41HC, D41HCI, 792794, 792795, 792796, 792797	NO	MC67	
		A41MTR, A41MTU, A41MC, 792870, 792871, 792872	NO	MC68	
Martin	SF36, SF36I, SCF36, SCF36I, SC36, SA36, SI36, SC36MB, GF2	NO	MT40		
	A36, AC36, AC36M, GSC36				
	SA42, SA42I, SC42, SC42I, BE42, BE42I, A42, AC42, GSC42	YES	MT45		
	LF36U, LF36BG	NO	MT41		
	LF42U, LF42BG	NO	MT46		
Preway	SB4800	YES	MT48		
	SB5400	YES	MT49		
	BE41, FF41	YES	PR70		
Lennox & Superior	BE48, FF48	YES	PR75		
	BI36B	NO	PR71		
	RD3300A, HC3320A, HCE3550, GHC-5500, GRD-5500,G400	YES	SU22		
	ST3840, KC38, KC38-2, B938, B1038, B1238, BCF3885, BRF3875, CF3860, CHD38, FC3880, FR3870, HC3820, HC3820A, HCE4050A, KC38-3, KR38, KR38-2, KR38-3, RD3800, RD3800A, SHC38, 1038, CST38	YES	SU20		
	KC43, KC43-2, B943, B1043, B1243, BCF4385, BRF4375, CF4360, HC4320, HC4320A, HCE4550A, KR43, RD4300, RD4300A, SHC43, 1043, CHD43	YES	SU25		
	BR-36, BC-36, BRF-36, BCF-36	YES	SU23		
	BR-42, BC-42, BRF-42, BCF-42	YES	SU29		
	RD-36, HC-36	NO	SU24		
	RD-42, HC-42	NO	SU30		
	LA41	NO	MC68		
	LBC3824, LBR3824	NO	SU21		
	LBC4324, LBR4324	NO	SU26		
	TM-4500, TMC-4500	NO	SU27		
	EST4800, EST-48	NO	SU28		
	Temco	TLC36-2, TLC36-3, TLC36-2I,TLC36-3I, TFC36-2, TCF36-3	NO	TE50	
TLC39-2 or -3, TLC39-2I or -3I, TFC39-2 or -3,TLC3922, TFC3922		YES	TE51		
TLC42-3, TLC42-3I, TFC42-3		YES	TE55		
TBF-36, TBF36-2, TBF36-3, TCST36		NO	TE52		
TBF42, TBF42-2, TBF42-3, TCST42		NO	TE56		
TBF47, TBF47-2, TBF47-3		NO	TE58		
TLC42-4, TLC42-4I, TFC42-4		NO	TE57		
TCH 3629		NO	TE53		
TCH4125		NO	TE54		
TCH4429		NO	TE59		

For custom sizes please see the separate price list.

HOW TO ORDER

- Use custom order form #7 from the Retail Price List and completely fill out all information requested.
- From the standard items chart above, select a finish adding a prefix code to the model number when ordering. Example: ZD, or ZDB
- Select a door style adding a suffix code to the model number when ordering. Example: CV2 or FS2
- Select the model from the price chart (with the appropriate prefix and suffix code) and size to fit. Example: ZDB-MJ10 FS2
- Decide on any of the optional accessories that fit your needs. To order optional mesh door add "MD" to basic model number. Example: MD-MJ10

Z-DOOR

Anodized Aluminum



Shown in Bronze.

FOR MANUFACTURER'S MODELS NOT LISTED

Contact the customer service department with the manufacturer, fireplace model, and the opening dimensions to see if a stock door is available.

The Z-Door is an anodized aluminum enclosure with a 7/8" wide frame. It is available as an inside fit only. Air space is allowed on the sides, top, bottom or combination to provide the same air flow as the manufacturer of the zero clearance fireplace.

STANDARD FINISHES – Bronze, Champagne Nickel, Pewter, Black, Black & Polished, Polished Brass Finish.	
Optional Glass Channel/ Handle Finishes –	Stainless, Antique, or Chrome
Door Styles –	Available with CV2 bi-fold tracked doors or FS2 bi-fold full swing trackless doors.
Standard Glass –	1/4" tempered bronze colored glass with lifetime warranty
Glass Options –	Standard: Grey, Clear or Bronze, Beveled Glass: Bronze, Grey or Clear, Mirrored Glass: Bronze
OPTIONS	
Mesh Options –	1/8" flattened expanded steel, 25 gauge mesh door (FS2 only)

SIZING CHART FOR THE Z-DOOR

FINISH	BRAND	MANUFACTURER'S MODEL NO.	AIR SPACE ON SIDES	MODEL	DOOR STYLE
Add one of the prefix codes below to basic model number ZBR3: Bronze ZN3: Champagne Nickel ZB3: Black ZM3: Black& Polished Z3: Polished Brass OPTIONAL FINISHES: BZ – Bronze Iron CU – Copper FTB – Fine Textured Brown GAV – Gold Antique Vein GI – Grey Iron MI – Moss Iron NI – Natural Iron NRST – New Rust OCPR – Old Copper OI – Old Iron SAV – Silver Antique Vein TB – Fine Textured Black TCH – Textured Chestnut TR – Textured Rust	FMI	3600, 3601	YES	FM80	Add one of the following codes as a suffix to basic model number CV2: Bi-fold tracked door FS2: Bi-fold full swing trackless door
		36E, 36EC-II (opening 23-1/4" high - older model)	YES	FM81A	
		36E, 36EC-II (opening 22-1/8" high - current)	NO	FM81	
		42E, 42EC	YES	FM86	
		42MC	NO	FM85	
		B36, B36L	NO	FM82	
		B42, B42L	NO	FM87	
		C36	NO	FM83	
		C42	NO	FM88	
		Georgian G50H	NO	FM90	
Georgian G42	NO	FM89			
Heatilator	EL36, EL36I, E36, EC36, HB36A, HB36AI, HR36, HC36	YES	HE30		
	EL42, EL42I, E42, EC42, HB42A, HB42AI	YES	HE35		
	E39, EC39	YES	HE31		
	HD36B, HD36BI	YES	HE33		
	HD42B, HD42BI	YES	HE36		
	TD36B, DX36, DX36AI, T588, ST36D, T3600	NO	HE32		
	TD42B, DX42, DX42AI, ST42A	NO	HE37		
	T768, T4200	NO	HE38		
	A36RH, A36R, A36C, A36CH	NO	HE34		
	A42RH, A42R, A42C, A42CH	NO	HE39		
	T4800	YES	HE40		
	Icon I60, I60CT	Overlap	HE44		
	Icon I80, I80H, I80CT	Overlap	HE45		
	Icon 100	Inside	HE46		
Heat-N-Glo	CFX36T	NO	HG94		
	EM41, RH41, RS41	YES	HG90		
	EM42, EM42AT	NO	HG92		
	HST-42, HST-42GD, HST-42C, HST-42CGD, HST-42D	YES	HG91		
	EM48, HST48, RHW51	YES	HG95		
	HST48D	NO	HG99		
	EM-415	NO	HG97		
	EM-485T, EM-485, RHW-485, RH-485	NO	HG98		
	RH-36, RHW-41, RSW-41	YES	HG93		
	RH-42, RHW-47, RSW-47	YES	HG96		
	RHW-56	YES	HG89		
	Exclaim 36	Overlap	HG86		
	Exclaim 42	Overlap	HG87		
	Exclaim 50	Inside	HG88		

PLEASE NOTE:
Overlap doors can only overlap onto the front black face fireplace, not any finishing material.
Twin Panel Mesh Door available in the Z-Door model.

SIZING CHART FOR THE Z-DOOR (CONTINUED)

FINISH	BRAND	MANUFACTURER'S MODEL NO.	AIR SPACE ON SIDES	MODEL	DOOR STYLE	
Add one of the prefix codes below to basic model number ZBR3: Bronze ZN3: Champagne Nickel ZB3: Black ZM3: Black& Polished Z3: Polished Brass OPTIONAL FINISHES: BZ – Bronze Iron CU – Copper FTB – Fine Textured Brown GAV – Gold Antique Vein GI – Grey Iron MI – Moss Iron NI – Natural Iron NRST – New Rust OCPR – Old Copper OI – Old Iron SAV – Silver Antique Vein TB – Fine Textured Black TCH – Textured Chestnut TR – Textured Rust	Majestic	MBU36, MBU36I, MBUC36I, MB36, MST36, MBUC36			Add one of the following codes as a suffix to basic model number CV2: Bi-fold tracked door FS2: Bi-fold full swing trackless door	
		RC36, R36, MSF36, BT836	YES	MJ10		
		MBU42 MBUC42, MR42, MRC42, MBU42I, MBUC42I, BT842	YES	MJ15		
		MSF42	YES	MJ16		
		MR42A, MRC42A	NO	MJ17		
		SHR42A	NO	MJ23		
		SH42	NO	MJ18		
		SHR52	NO	MJ24		
		SHR36	NO	MJ07		
		SHR42	NO	MJ08		
		SHR48	NO	MJ06		
		M42, MD42	YES	MJ19		
		M36, MD36	YES	MJ12		
		STR36, BR36, BC36, SR36, SC36, NVBR36, NVBC36	NO	MJ09		
		STR42, BR42, BC42, SR42, SC42, NVSR42, NVSC42, NVBC42	NO	MJ13		
		SR36A, SC36A	NO	MJ21		
		SR42A, SC42A	NO	MJ22		
		Marco	B36CF(792774/E), B36CFI(792779/E), B36HC(792775/E), B36HCI(792776/E), BM36HC(792777), BM36HCD(792778)	YES		MC60
			B41CF(792851 / 62), B41HC(792847 / 63), B41HCI(792857 / 64)	YES		MC65
			C36CF(792856), C36HC(792759), C36HCI(792760), CM36HC(792782), CM36HCD(792783)	YES		MC61
C41CF(792848), C41HC(792849), C41HCD(792850)	YES		MC66			
D36CF(792807), D36CFI(792808), D36HC(792809), D36HCI(792810), D36TCF(792805), D36TCFI(792806), D36THC(792811), D36THCI(792812)	NO		MC62			
D41CF, D41CFI, D41HC, D41HCI, 792794, 792795, 792796, 792797	NO		MC67			
A41MTR, A41MTU, A41MC, 792870, 792871, 792872	NO		MC68			
SF36, SF36I, SCF36, SCF36I, SC36, SA36, SI36, SC36MB, GF2						
A36, AC36, AC36M, GSC36	NO	MT40				
Martin	SA42, SA42I, SC42, SC42I, BE42, BE42I, A42, AC42, GSC42	YES	MT45			
	LF36U, LF36BG	NO	MT41			
	LF42U, LF42BG	NO	MT46			
	SB4800	YES	MT48			
	SB5400	YES	MT49			
Preway	BE41, FF41	YES	PR70			
	BE48, FF48	YES	PR75			
	BI36B	NO	PR71			
Lennox & Superior	RD3300A, HC3320A, HCE3550, GHC-5500, GRD-5500, G400	YES	SU22			
	ST3840, KC38, KC38-2, B938, B1038, B1238, BCF3885, BRF3875, CF3860, CHD38, FC3880, FR3870, HC3820, HC3820A, HCE4050A, KC38-3, KR38, KR38-2, KR38-3, RD3800, RD3800A, SHC38, 1038, CST38	YES	SU20			
	KC43, KC43-2, B943, B1043, B1243, BCF4385, BRF4375, CF4360, HC4320, HC4320A, HCE4550A, KR43, RD4300, RD4300A, SHC43, 1043, CHD43	YES	SU25			
	BR-36, BC-36, BRF-36, BCF-36	YES	SU23			
	BR-42, BC-42, BRF-42, BCF-42	YES	SU29			
	RD-36, HC-36	NO	SU24			
	RD-42, HC-42	NO	SU30			
	Colonial COL-3629	NO	SU31			
	LA41	NO	MC68			
	LBC3824, LBR3824	NO	SU21			
	LBC4324, LBR4324	NO	SU26			
	TM-4500, TMC-4500	YES	SU27			
	EST4800, EST-48	NO	SU28			
	Temco	TLC36-2, TLC36-3, TLC36-2I, TLC36-3I, TFC36-2, TCF36-3	NO	TE50		
TLC39-2 or -3, TLC39-2I or -3I, TFC39-2 or -3, TLC3922, TFC3922		YES	TE51			
TLC42-3, TLC42-3I, TFC42-3		YES	TE55			
TBF-36, TBF36-2, TBF36-3, TCST36		NO	TE52			
TBF42, TBF42-2, TBF42-3, TCST42		NO	TE56			
TBF47, TBF47-2, TBF47-3		NO	TE58			
TLC42-4, TLC42-4I, TFC42-4		NO	TE57			
TCH 3629		NO	TE53			
TCH4125		NO	TE54			
TCH4429		NO	TE59			

For custom sizes please see the separate price list.

HOW TO ORDER

- Use custom order form #7 from the Retail Price List and completely fill out all information requested.
- From the standard items chart above, select a finish adding a prefix code to the model number when ordering. Example: Z3, ZB3, or ZM3
- Select a door style adding a suffix code to the model number when ordering. Example: CV2 or FS2
- Select the model from the price chart (with the appropriate prefix and suffix code) and size to fit. Example: ZM3-MJ10 FS2
- Decide on any of the optional accessories that fit your needs. To order optional mesh door add "MD" to basic model number. Example: MD-MJ10

ORDERING CUSTOM DOORS

Since its inception in 1943, Thermo-Rite Manufacturing has been recognized world wide for its line of custom-made glass fireplace enclosures.

Our expertly designed and handcrafted custom doors are available in the Normandy, Chateau Collection, Direct-Vent Fireplace Accessory, Outdoor Patio Door, Heritage, Heritage Arch, Cameo, Original, Phantom, Laser, Prism, Classic, Park Avenue and Corner unit models.

Each custom door starts with the dimensions that are provided by you, the dealer, on behalf of your customer. That is why precise measurements are vital to the end result of a perfectly fit door enclosure.

By following these key steps, you can ensure a perfect fit with each and every order:

1. Help your customer select the style of enclosure which best suits their fireplace style and complements their home décor.
2. Take precise measurements of their fireplace.
3. Select the appropriate Custom Order Form which appears on pages in the Retail Price List.
4. Complete this form by making sure that you have filled in all of the sections. You must mark at least one selection in all of the boxes.
5. Mail or fax your order into Thermo-Rite Manufacturing.



Full Heritage Arch shown in Grey Iron.

PLEASE NOTE: Upon receipt of your mailed or faxed Custom Order Form, a Thermo-Rite representative will review the form for completeness and accuracy. At that point, your order will be entered into our system and an Order Acknowledgement Form will be faxed back to you for your review.

If we do not hear from you within two (2) working days as to any possible errors on the Order Acknowledgement Form, then we will proceed to move your order into the scheduling process. At that time, no changes can be made to a custom door order.

Since each custom-made door is handcrafted exclusively in our headquarters in Akron, Ohio, please allow 4 weeks for delivery.

HERITAGE COLORS



PLEASE NOTE: These color samples are approximate and may vary from actual door finish. Please consult factory color chips for accurate colors.

NORMANDY

Welded Aluminum

The Normandy is a 1/8" welded aluminum 2" channel frame enclosure. It is available as an overlap or inside fit. The maximum overlap for the frame is 1 1/2" overlap at the top and sides.

STANDARD FINISHES – Heritage Colors.

Door Styles –	Available with full swing trackless doors.
Standard Glass –	1/4" tempered bronze, clear or grey glass with lifetime warranty
Handle Styles-	Normandy Contemporary
Mesh Options –	Heavy 19 gauge mesh curtain (Must be ordered at the same time as the door in order to receive the mesh curtain at no charge.)



Shown in Fine Textured Black.



Normandy Handle Style



Contemporary Handle Style

SIZING CHART FOR THE NORMANDY

FINISH CODES	MODEL NO.	DOOR STYLE	GLASS	OVERALL FRAME SIZES
<p>STANDARD FINISHES:</p> <p>BZ – Bronze Iron CU – Copper FTB – Fine Textured Brown GAV – Gold Antique Vein GI – Grey Iron MI – Moss Iron NI – Natural Iron NRST – New Rust OCPR – Old Copper OI – Old Iron SAV – Silver Antique Vein TB – Fine Textured Black TCH – Textured Chestnut TR – Textured Rust</p>	Normandy	Twin full-swing trackless door	Bronze, Clear or Grey	<p>Up to 44" wide by 31" high</p> <p>For larger sizes and frame widths, contact factory for quote.</p>

HOW TO ORDER

- Use custom order form #1 in the separate Price List and completely fill out all information requested.
- Order must be mailed or faxed to Thermo-Rite.

THE CHATEAU COLLECTION

Welded Steel



Shown in Natural Iron (Aztec Model).



Shown in Bronze (Roman Model).



Shown in Old Copper (Tuscan Model).

The Chateau Collection Doors, Aztec, Roman and Tuscan – each is a 1/4" welded steel plate enclosure with a 2" wide frame. It is available as an overlap or inside fit. The inner return of the frame will extend 2 1/2" into the opening, with a 1" overlap at top and sides.

STANDARD FINISHES – Heritage Colors.	
Door Styles –	Available with CV2 bi-fold tracked doors or FS2 bi-fold full swing trackless doors.
Standard Glass –	1/4" tempered bronze, clear or grey glass with lifetime warranty

SIZING CHART FOR THE CHATEAU COLLECTION

FINISH CODES	MODEL NO.	DOOR STYLE	GLASS	OVERALL FRAME SIZES
STANDARD FINISHES: BZ – Bronze Iron CU – Copper FTB – Fine Textured Brown GAV – Gold Antique Vein GI – Grey Iron MI – Moss Iron NI – Natural Iron NRST – New Rust OCPR – Old Copper OI – Old Iron SAV – Silver Antique Vein TB – Fine Textured Black TCH – Textured Chestnut TR – Textured Rust	Aztec Roman Tuscan	CV2: Bi-fold tracked door FS2: Bi-fold full swing trackless door	Bronze, Clear or Grey	Up to 44" wide by 31" high Up to 50" wide by 39" high For larger sizes and frame widths, contact factory for quote.

HOW TO ORDER

- Use custom order form #1 in the separate Price List and completely fill out all information requested.
- Order must be mailed or faxed to Thermo-Rite.

THE DIRECT-VENT FIREPLACE ACCESSORY MESH DOOR

The Direct-Vent Accessory Mesh door is a 1" steel square tubing welded frame and is available with optional bottom louver which opens for easy access to fireplace controls.

STANDARD FINISHES – Heritage Colors.	
Door Styles –	Available with twin full-swing mesh trackless doors.
Mesh Doors –	1/8" flattened expanded steel, 25 gauge mesh door.
OPTIONS	
Louver Styles-	Leaf Scroll Louver, Diamond Louver, or the Navaho Louver Optional drop down louver.



Shown in Black.



RIGHT, FROM TOP: Leaf Scroll, Diamond and Navaho Louvers. Also available with optional bottom louver which opens for easy access to fireplace controls.

SIZING CHART FOR THE DIRECT-VENT FIREPLACE ACCESSORY MESH DOOR

FINISH CODES	MODEL NO.	DOOR STYLE	GLASS	OVERALL FRAME SIZES
STANDARD FINISHES: BZ – Bronze Iron CU – Copper FTB – Fine Textured Brown GAV – Gold Antique Vein GI – Grey Iron MI – Moss Iron NI – Natural Iron NRST – New Rust OCPR – Old Copper OI – Old Iron SAV – Silver Antique Vein TB – Fine Textured Black TCH – Textured Chestnut TR – Textured Rust	Direct-Vent	Twin full-swing mesh trackless door	1/8" flattened expanded steel, 25 gauge mesh	Size to be provided by customer.

HOW TO ORDER

- Use custom order form #1 in the separate Price List and completely fill out all information requested.
- Order must be mailed or faxed to Thermo-Rite.



Shown in Fine Textured Black

THE OUTDOOR PATIO DOOR

The Outdoor Patio Door enclosure features a 1/8" welded aluminum 2" frame, twin full-swing trackless glass doors and locking handle mechanism.

STANDARD FINISHES – Heritage Colors.	
Door Styles –	Available with full swing trackless doors.
Standard Glass –	1/4" tempered bronze colored glass with lifetime warranty

SIZING CHART FOR THE OUTDOOR PATIO DOOR

FINISH	MODEL NO.	DOOR STYLE	GLASS	OVERALL FRAME SIZES
STANDARD FINISHES: BZ – Bronze Iron CU – Copper FTB – Fine Textured Brown GAV – Gold Antique Vein GI – Grey Iron MI – Moss Iron NI – Natural Iron NRST – New Rust OCPR – Old Copper OI – Old Iron SAV – Silver Antique Vein TB – Fine Textured Black TCH – Textured Chestnut TR – Textured Rust	Outdoor Patio Door	CV1: Bronze, grey or clear glass, twin, full-swing trackless doors. For mesh door option, contact the factory for a quote.	Bronze, Clear or Grey	Up to 44" wide by 31" high For larger sizes and frame widths, contact factory for quote.

HOW TO ORDER

- Use custom order form #1 in the separate Price List and completely fill out all information requested.
- Order must be mailed or faxed to Thermo-Rite.

CAMEO

Anodized Aluminum

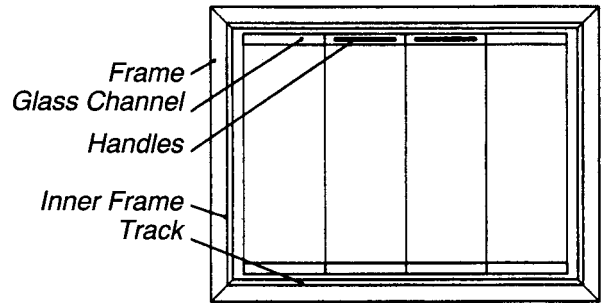
The Cameo is an anodized aluminum enclosure with 7/8" mitered frame and a 3/8" mitered inner frame for a total frame width of 1 1/4". It is available as an overlap or inside fit. The maximum overlap is 1 1/2" each side, 1" top with mesh and 1 3/4" top without mesh.



Shown in Champagne Nickel.

STANDARD FINISHES – Bronze, Champagne Nickel, Black, Black & Polished, Polished & Black, Polished Brass	
Optional Glass Channel/ Handle Finishes –	Stainless, Antique, or Chrome
Door Styles –	Available with CV2 bi-fold tracked doors or FS2 bi-fold full swing trackless doors
Standard Glass –	1/4" tempered bronze, clear or grey colored glass with lifetime warranty
Glass Options –	Beveled Glass Mirrored Glass: Bronze
OPTIONS	
Mesh Options –	Heavy 19 gauge mesh curtain, 1/8" flattened expanded steel, 25 gauge mesh door

CAMEO FRONT VIEW



SIZING CHART FOR THE CAMEO

FINISH	MODEL NO.	DOOR STYLE	GLASS	OVERALL FRAME SIZES
Bronze Champagne Nickel Black Black & Polished Polished & Black Polished Brass OPTIONAL FINISHES: BZ – Bronze Iron OCPR – Old Copper CU – Copper OI – Old Iron FTB – Fine Textured Brown SAV – Silver Antique Vein GAV – Gold Antique Vein TB – Fine Textured Black GI – Grey Iron TCH – Textured Chestnut MI – Moss Iron TR – Textured Rust NI – Natural Iron NRST – New Rust	Cameo	CV2: Bi-fold tracked door FS2: Bi-fold full swing trackless door	Bronze, Clear or Grey	Up to 44" wide by 31" high Up to 50" wide by 39" high For larger sizes and frame widths, contact factory for quote.

HOW TO ORDER

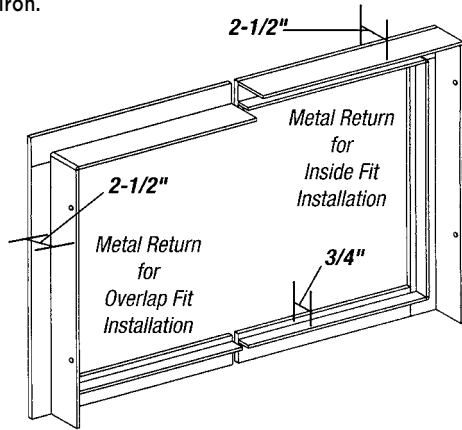
- Use custom order form #1 in the separate Price List and completely fill out all information requested.
- Order must be mailed or faxed to Thermo-Rite.

HERITAGE

Welded Steel



Shown in Natural Iron.



The Heritage is a 1/4" welded steel plate enclosure with either a 1 3/4" or 2 1/2" wide frame. It is available as an overlap or inside fit. The maximum overlap for 1 3/4" frames is 3/4" each side, 3/4" top with and without mesh. The maximum overlap for 2 1/2" frames is, 1 1/2" each side, 1 1/2" top with and without mesh. The inner return of the frame will extend 2 1/2" into the opening.

STANDARD FINISHES – Heritage Colors

Optional Glass Channel/ Handle Finishes –	Polished, Antique, Chrome or Stainless
Door Styles –	Available with CV2 bi-fold tracked doors or FS2 bi-fold full swing trackless doors
Standard Glass –	1/4" tempered bronze, clear or grey colored glass with lifetime warranty
Glass Options –	Beveled Glass Mirrored Glass: Bronze

OPTIONS

Mesh Options –	Heavy 19 gauge mesh curtain, 1/8" flattened expanded steel, 25 gauge mesh door
Frame Option –	Laser cut frame
Optional Air-Draft Control	
Laser Cut Option	

SIZING CHART FOR THE HERITAGE

FINISH	MODEL NO.	DOOR STYLE	GLASS	OVERALL FRAME SIZES
BZ – Bronze Iron CU – Copper FTB – Fine Textured Brown GAV – Gold Antique Vein GI – Grey Iron MI – Moss Iron NI – Natural Iron NRST – New Rust OCPR – Old Copper OI – Old Iron SAV – Silver Antique Vein TB – Fine Textured Black TCH – Textured Chestnut TR – Textured Rust	Heritage	CV2 : Bi-fold tracked door FS2 : Bi-fold full swing trackless door	Bronze, Clear or Grey	Up to 44" wide by 31" high Up to 50" wide by 39" high For larger sizes and frame widths, contact factory for quote.

- HOW TO ORDER**
- Use custom order form #1 in the separate Price List and completely fill out all information requested.
 - Order must be mailed or faxed to Thermo-Rite.

HERITAGE ARCH

Welded Steel

The Heritage Arch is a 1/4" steel plate enclosure with either a 1 3/4" or 2 1/2" wide frame in a laser cut full arch or welded arch plate design. It is available as an inside or overlap fit. Consult factory for special requirements, shapes or sizes.



Full Arch shown in Old Copper.



Arch plate shown in Fine Textured Black

STANDARD FINISHES – Heritage Colors	
Optional Glass Channel/ Handle Finishes (Arch Plate only) – Polished, Antique, Chrome, Stainless	
Door Styles –	Available with CV2 bi-fold tracked doors (arch plate only) or FS2 bi-fold full swing trackless doors
Standard Glass –	1/4" tempered bronze, clear or grey colored glass with lifetime warranty
Glass Options –	Beveled Glass (arch plate) Beveled Full arch Mirrored Glass: Bronze
OPTIONS	
Mesh Options –	Heavy 19 gauge mesh curtain (arch plate) 1/8" flattened expanded steel, 25 gauge mesh door (arch plate) (full arch)
Optional Air-Draft Control	

SIZING CHART FOR THE HERITAGE ARCH

FINISH	MODEL NO.	DOOR STYLE	GLASS	OVERALL FRAME SIZES
BZ – Bronze Iron CU – Copper FTB – Fine Textured Brown GAV – Gold Antique Vein GI – Grey Iron MI – Moss Iron NI – Natural Iron NRST – New Rust OCPR – Old Copper OI – Old Iron SAV – Silver Antique Vein TB – Fine Textured Black TCH – Textured Chestnut TR – Textured Rust	Full Arch (Laser Cut)	FS2: Bi-fold full swing trackless door	Bronze, Clear or Grey	Up to 44" wide by 31" high Up to 50" wide by 39" high For larger sizes and frame widths, contact factory for quote.
	Arch Plate	CV2: Bi-fold tracked door FS2: Bi-fold full swing trackless door	Bronze, Clear or Grey	Up to 44" wide by 31" high Up to 50" wide by 39" high For larger sizes and frame widths, contact factory for quote.

HOW TO ORDER

- Use custom order form #3 in the separate Price List and completely fill out all information requested.
- Order must be mailed or faxed to Thermo-Rite.
- Call Customs Department for lead time on Full Arch

PHANTOM

Anodized Aluminum



Shown in Brass.

The Phantom is an anodized aluminum enclosure with thin 1/4" sides and a 3/4" wide top and bottom frame. It is available as an inside fit only.

STANDARD FINISHES – Polished Brass, Black, Black & Polished, Polished & Black.

Optional Glass Channel/
Handle Finishes – Stainless, Antique, or Chrome

Door Styles – Available with CV2 bi-fold tracked doors or FS2 bi-fold full swing trackless doors

Standard Glass – 1/4" tempered bronze, clear or grey colored glass with lifetime warranty

Glass Options – Beveled Glass
Mirrored Glass: Bronze

OPTIONS

Mesh Options – 1/8" flattened expanded steel, 25 gauge mesh door (Available with FS2 doors only.)

Frame Inserts – Polished, Black, Brushed Silver, Satin (Top & Bottom only)

SIZING CHART FOR THE PHANTOM

FINISH	MODEL NO.	DOOR STYLE	GLASS	OVERALL FRAME SIZES
Polished Brass Black Black & Polished Polished & Black OPTIONAL FINISHES: BZ – Bronze Iron CU – Copper FTB – Fine Textured Brown GAV – Gold Antique Vein GI – Grey Iron MI – Moss Iron NI – Natural Iron NRST – New Rust OCPR – Old Copper OI – Old Iron SAV – Silver Antique Vein TB – Fine Textured Black TCH – Textured Chestnut TR – Textured Rust	Phantom	CV2: Bi-fold tracked door FS2: Bi-fold full swing trackless door	Bronze, Clear or Grey	Up to 44" wide by 31" high Up to 50" wide by 39" high For larger sizes and frame widths, contact factory for quote.

HOW TO ORDER

- Use custom order form #4 in the separate Price List and completely fill out all information requested.
- Order must be mailed or faxed to Thermo-Rite.

LASER

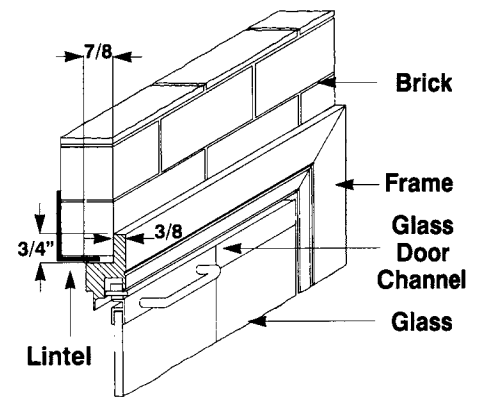
Anodized Aluminum

The Laser is an anodized aluminum enclosure with a 1 3/4" frame that protrudes only 3/8" from the face of the fireplace. It is available as a combination overlap, inside fit.

STANDARD FINISHES – Black, Polished Brass Finish.	
Optional Glass Channel/ Handle Finishes –	Stainless, Antique, or Chrome
Door Styles –	Available with CV2 bi-fold tracked doors or FS2 bi-fold full swing trackless doors
Standard Glass –	1/4" tempered bronze, clear or grey colored glass with lifetime warranty
Glass Options –	Beveled Glass Mirrored Glass: Bronze
OPTIONS	
Mesh Options –	Heavy 19 gauge mesh curtain, 1/8" flattened expanded steel, 25 gauge mesh door



Shown in Grey Iron.



SIZING CHART FOR THE LASER

FINISH	MODEL NO.	DOOR STYLE	GLASS	OVERALL FRAME SIZES
Black Polished Brass	Laser	CV2: Bi-fold tracked door FS2: Bi-fold full swing trackless door	Bronze, Clear or Grey	Up to 44" wide by 31" high Up to 50" wide by 39" high For larger sizes and frame widths, contact factory for quote.
OPTIONAL FINISHES:				
BZ – Bronze Iron CU – Copper FTB – Fine Textured Brown GAV – Gold Antique Vein GI – Grey Iron MI – Moss Iron NI – Natural Iron NRST – New Rust OCPR – Old Copper OI – Old Iron SAV – Silver Antique Vein TB – Fine Textured Black TCH – Textured Chestnut TR – Textured Rust				

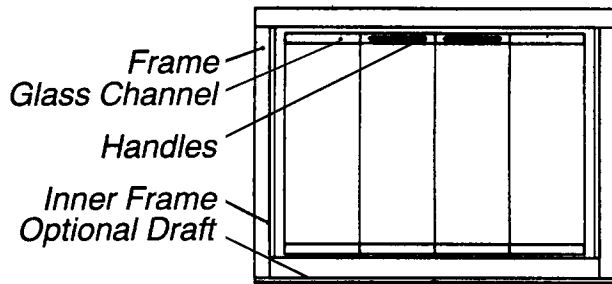
HOW TO ORDER

Use custom order form #1 in the separate Price List and completely fill out all information requested.
• Order must be mailed or faxed to Thermo-Rite.



Shown in Stainless.

CLASSIC FRONT VIEW



CLASSIC

Solid Brass

The Classic is a solid brass enclosure with a 1" frame. It is available as an overlap or inside fit. The maximum overlap is 1 1/4" each side, 1" top with mesh and 1 3/4" top without mesh.

STANDARD FINISHES – Antique, Chrome, Stainless, Polished Brass Finish.

Door Styles – Available with CV2 bi-fold tracked doors or FS2 bi-fold full swing trackless doors

Standard Glass – 1/4" tempered bronze, clear or grey colored glass with lifetime warranty

Glass Options – Beveled Glass
Mirrored Glass: Bronze

OPTIONS

Draft Option – Fabricated draft control as part of enclosure

Mesh Options – Heavy 19 gauge mesh curtain, 1/8" flattened expanded steel, 25 gauge mesh door

SIZING CHART FOR THE CLASSIC

FINISH	MODEL NO.	DOOR STYLE	GLASS	OVERALL FRAME SIZES
Antique Chrome Stainless Polished Brass	Classic	CV2: Bi-fold tracked door FS2: Bi-fold full swing trackless door	Bronze, Clear or Grey	Up to 44" wide by 31" high Up to 50" wide by 39" high For larger sizes and frame widths, contact factory for quote.

HOW TO ORDER

- Use custom order form #1 in the separate Price List and completely fill out all information requested.
- Order must be mailed or faxed to Thermo-Rite.

PRISM

Anodized Aluminum/Solid Brass

The Prism is a solid brass enclosure utilizing a 2" wide frame and frame inserts. It is available as an overlap or inside fit. An Air Prism draft option provides a fully controllable air-draft shutter system. The maximum overlap is 2 3/8" each side, 1 3/4" top with mesh and 2 3/8" top without mesh.



Shown in Polished Brass with Black Inserts.

INSERT FINISHES –	Polished Brass, Antique, Black, Chrome, Copper.
Glass Channel/ Handle Finishes –	Polished, Antique, Black, Chrome, Stainless
Frame Finishes –	Polished, Black
Door Styles –	Available with CV2 bi-fold tracked doors or FS2 bi-fold full swing trackless doors
Standard Glass –	1/4" tempered bronze, clear or grey colored glass with lifetime warranty
Glass Options –	Beveled Glass Mirrored Glass: Bronze
OPTIONS	
Air Prism –	Original filigree, Regal filigree
Mesh Options –	Heavy 19 gauge mesh curtain, 1/8" flattened expanded steel, 25 gauge mesh door

AIR PRISM MODELS



Air Prism Model shown to the left with Original filigree



Air Prism Model shown to the left with Regal filigree

SIZING CHART FOR THE PRISM

FINISH	MODEL NO.	DOOR STYLE	GLASS	OVERALL FRAME SIZES
Polished Brass Antique Black Chrome Copper	Prism	CV2: Bi-fold tracked door FS2: Bi-fold full swing trackless door	Bronze, Clear or Grey	Up to 44" wide by 31" high Up to 50" wide by 39" high For larger sizes and frame widths, contact factory for quote.

HOW TO ORDER

- Use custom order form #2 in the separate Price List and completely fill out all information requested.
- Order must be mailed or faxed to Thermo-Rite.

ORIGINAL

Solid Brass



Shown in Polished Brass.

The Original is a solid brass enclosure with 3" side panels, 1 1/4" top cap, 3" top and bottom panels (filigree), and a center draft control.

STANDARD FINISHES – Antique, Black, Polished Brass Finish.

Door Styles –	Available with CV2 bi-fold tracked doors or FS2 bi-fold full swing trackless doors.
Standard Glass –	1/4" tempered bronze colored glass with lifetime warranty
Glass Options –	Grey, Clear or Bronze Beveled Glass: Bronze, Grey or Clear Mirrored Glass: Bronze

OPTIONS

Mesh Options –	Heavy 19 gauge mesh curtain, 1/8" flattened expanded steel, 25 gauge mesh door
Optional Riser Bars –	Original riser bars fit under the enclosure and are used with stock doors to increase the height of the enclosure

SIZING CHART FOR THE REGAL

FINISH CODES	MODEL NO.	DOOR STYLE	WILL FIT WIDTHS	WILL FIT HEIGHTS	OVERALL FRAME SIZES (WIDTH/HEIGHT)	
Add one of the prefix codes below to basic model number BA: Antique BB: Black B: Polished Brass	3023 3027	Add one of the following codes as a suffix to basic model number: CV2: Bi-fold tracked door FS2: Bi-fold full swing trackless door	23 1/2" to 29 1/2" 23 1/2" to 29 1/2"	20" to 23 1/4" 24" to 27 1/4"	30 5/8" x 23 3/4" 30 5/8" x 27 3/4"	
	3623 3627 3631 3635		29 1/2" to 35 1/2" 29 1/2" to 35 1/2" 29 1/2" to 35 1/2" 29 1/2" to 35 1/2"	20" to 23 1/4" 24" to 27 1/4" 28" to 31 1/4" 32" to 35 1/4"	36 5/8" x 23 3/4" 36 5/8" x 27 3/4" 36 5/8" x 31 3/4" 36 5/8" x 35 3/4"	
	4223 4227 4231 4235		35 1/2" to 41 1/2" 35 1/2" to 41 1/2" 35 1/2" to 41 1/2" 35 1/2" to 41 1/2"	20" to 23 1/4" 24" to 27 1/4" 28" to 31 1/4" 32" to 35 1/4"	42 5/8" x 23 3/4" 42 5/8" x 27 3/4" 42 5/8" x 31 3/4" 42 5/8" x 35 3/4"	
	4827 4831 4835		41 1/2" to 47 1/2" 41 1/2" to 47 1/2" 41 1/2" to 47 1/2"	24" to 27 1/4" 28" to 31 1/4" 32" to 35 1/4"	48 5/8" x 27 3/4" 48 5/8" x 31 3/4" 48 5/8" x 35 3/4"	
	5427 5431 5435		Only available in CV2	47 1/2" to 53 1/2" 47 1/2" to 53 1/2" 47 1/2" to 53 1/2"	24" to 27 1/4" 28" to 31 1/4" 32" to 35 1/4"	54 5/8" x 27 3/4" 54 5/8" x 31 3/4" 54 5/8" x 35 3/4"

SIZING CHART FOR RISER BARS

WIDTH	HEIGHT	POLISHED BRASS (MODEL)	ANTIQUÉ BRASS (MODEL)	BLACK (MODEL)
30 5/8"	1 1/4"	B-30-1	BA-30-1	BB-30-1
36 5/8"	1 1/4"	B-36-1	BA-36-1	BB-36-1
42 5/8"	1 1/4"	B-42-1	BA-42-1	BB-42-1
48 5/8"	1 1/4"	B-48-1	BA-48-1	BB-48-1
54 5/8"	1 1/4"	B-54-1	BA-54-1	BB-54-1

HOW TO ORDER

- From the standard items chart above, select a finish adding a prefix code to the model number when ordering. Example: B, BA, BB
- Select a door style adding a suffix code to the model number when ordering. Example: CV2 or FS2
- Select the model from the sizing chart (with the appropriate prefix and suffix code) and size to fit. **When using a mesh curtain the maximum overlap on the height is 3**

- **3/4". When using mesh doors the maximum overlap on the height is 4 1/4", and 3" on each side. Example: B3627CV2**
- Decide on any of the optional accessories that fit your needs. To order optional mesh add "C" for curtain or "MD" for mesh doors to basic model number. Example: C3627 or MD3627

The Park Avenue is a solid brass enclosure with a 2" frame. It is available as an overlap or inside fit. The maximum overlap is 2 1/2" each side, 1 7/8" top with mesh and 2 3/4" top without mesh. One key feature is the air duct which appears on all Park Avenue doors at the bottom of the frame.

STANDARD FINISHES – Antique, Black, Polished Brass Finish.

Optional Finishes – Chrome, Stainless, Combinations

Door Styles – Available with CV2 bi-fold tracked doors or FS2 bi-fold full swing trackless doors

Standard Glass – 1/4" tempered bronze, clear or grey colored glass with lifetime warranty

Glass Options – Beveled Glass
Mirrored Glass: Bronze

OPTIONS

Mesh Options – Heavy 19 gauge mesh curtain, 1/8" flattened expanded steel, 25 gauge mesh door

PARK AVENUE

Solid Brass



Shown in Polished Brass.

SIZING CHART FOR THE PARK AVENUE

FINISH	MODEL NO.	DOOR STYLE	GLASS	OVERALL FRAME SIZES
Antique Black Polished Brass	Park Avenue	CV2: Bi-fold tracked door FS2: Bi-fold full swing trackless door	Bronze, Clear or Grey	Up to 44" wide by 31" high Up to 50" wide by 39" high For larger sizes and frame widths, contact factory for quote.

HOW TO ORDER

- Use custom order form #1 in the separate Price List and completely fill out all information requested.
- Order must be mailed or faxed to Thermo-Rite.

CORNER UNITS



Shown in Polished Brass.

Custom masonry corner units are available for 2-sided or 3-sided fireplace openings in selected Thermo-Rite enclosure models. An overlap or inside fit is available. For 3-sided fireplaces, consult factory for availability and pricing.

ENCLOSURE MODELS –Regal, Original, Cameo, Classic, Park Avenue, Heritage.	
Optional Finishes –	Chrome, Stainless
Door Styles –	Available with CV2 bi-fold tracked doors or FS2 bi-fold full swing trackless doors
Standard Glass –	1/4" tempered bronze, clear or grey colored glass with lifetime warranty
Glass Options –	Beveled Glass Mirrored Glass: Bronze
OPTIONS	
Mesh Options –	Heavy 19 gauge mesh curtain, 1/8" flattened expanded steel, 25 gauge mesh door

SIZING CHART FOR THE CORNER UNITS

FINISH	MODEL NO.	DOOR STYLE	GLASS	OVERALL FRAME SIZES (BOTH SIDES COMBINED)
Polished Brass Antique Black Black & Polished Black & Antique	Regal	CV2: Bi-fold tracked door FS2: Bi-fold full swing trackless door	Bronze, Clear or Grey	up to 66" wide x 31" high up to 80" wide x 39" high
Polished Brass Antique Black	Original	CV2: Bi-fold tracked door FS2: Bi-fold full swing trackless door	Bronze, Clear or Grey	up to 66" wide x 31" high up to 80" wide x 39" high
Polished Brass Black Black & Polished Polished & Black	Cameo**	CV2: Bi-fold tracked door FS2: Bi-fold full swing trackless door	Bronze, Clear or Grey	up to 66" wide x 31" high up to 80" wide x 39" high
Polished Brass Antique Chrome Stainless	Classic	CV2: Bi-fold tracked door FS2: Bi-fold full swing trackless door	Bronze, Clear or Grey	up to 66" wide x 31" high up to 80" wide x 39" high
Polished Brass Antique Black Stainless	Park Avenue	CV2: Bi-fold tracked door FS2: Bi-fold full swing trackless door	Bronze, Clear or Grey	up to 66" wide x 31" high up to 80" wide x 39" high
Bronze Iron Copper Fine Textured Brown Gold Antique Vein Grey Iron Moss Iron Natural Iron	New Rust Old Copper Old Iron Silver Antique Vein Fine Textured Black Textured Chestnut Textured Rust	Heritage	CV2: Bi-fold tracked door FS2: Bi-fold full swing trackless door	Bronze, Clear or Grey up to 66" wide x 31" high up to 80" wide x 39" high

*For larger sizes, non 90° angles, 3 sided and special requests please contact factory for quote. **Available in all Heritage colors.

HOW TO ORDER

- Use custom order form #6 in the separate Price List and completely fill out all information requested.
- Order must be mailed or faxed to Thermo-Rite.

SPECIAL "Z"

Anodized Aluminum

The Special "Z" is an anodized aluminum enclosure with a 3/4" wide frame. It is only available as an inside fit. Air space is allowed on the sides, top, bottom, or combination in order to provide the same air flow as the manufacturer of the zero clearance fireplace.



Shown in Anodized Black.

STANDARD FINISH –	Anodized Black
Door Style –	Available with FS2 bi-fold full swing trackless doors.
Standard Glass –	1/4" tempered bronze, clear or grey colored glass with lifetime warranty.

SIZING CHART FOR THE SPECIAL "Z"

FINISH	MODEL NO.	DOOR STYLE	GLASS	OVERALL FRAME SIZES
Standard - Black	The Special "Z"	FS2: Bi-fold full swing trackless door	Bronze, Clear or Grey	Up to 44" wide. Over 44" wide. For larger sizes and frame widths, contact factory for quote.
OPTIONAL FINISHES: (at an upcharge) BZ – Bronze Iron CU – Copper FTB – Fine Textured Brown GAV – Gold Antique Vein GI – Grey Iron MI – Moss Iron NI – Natural Iron NRST – New Rust OCPR – Old Copper OI – Old Iron SAV – Silver Antique Vein TB – Fine Textured Black TCH – Textured Chestnut TR – Textured Rust				

HOW TO ORDER

- Use custom order form #1 in the separate Price List and completely fill out all information requested.
- Order must be mailed or faxed to Thermo-Rite.

Z-TRACK

Anodized Aluminum



Shown in Black with Stainless Channel/Handles.

The Z-Track is an anodized aluminum track and glass enclosure with 3/4" wide top and bottom tracks. It is available as an inside fit only.

STANDARD FINISHES – Polished Brass, Black, Black & Polished, Polished & Black	
Door Styles –	Available with CV2 bi-fold tracked doors only
Standard Glass –	1/4" tempered bronze, clear or grey colored glass with lifetime warranty
Glass Options –	Beveled Glass Mirrored Glass: Bronze
OPTIONS	
Frame Option –	Full 4 sided frame
Optional Glass Channel/ Handle Finishes –	Stainless, Antique, or Chrome

SIZING CHART FOR THE Z-TRACK

FINISH	MODEL NO.	DOOR STYLE	GLASS	OVERALL FRAME SIZES
Polished Brass Black Black & Polished Polished & Black	Z-Track	CV2: Bi-fold tracked door	Bronze, Clear or Grey	Up to 36" wide by 24" high Up to 42" wide by 28" high Up to 48" wide by 29" high For larger sizes and frame widths, contact factory for quote.

**The zero clearance firebox must be reasonably square for Z-Track doors to operate properly. For out-of-square conditions choose one of Thermo-Rite's full frame models. Mesh is not available for Z-Track doors.*

HOW TO ORDER

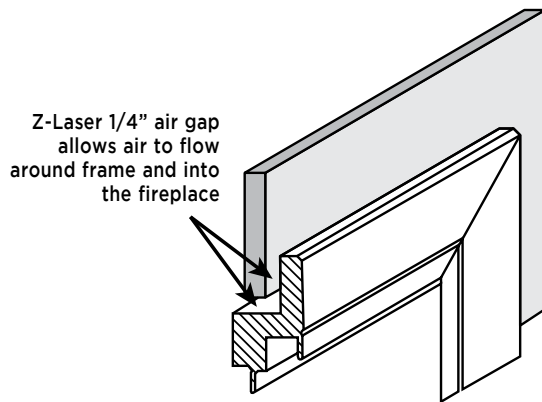
- Use custom order form #7 in the separate Price List and completely fill out all information requested.
- Order must be mailed or faxed to Thermo-Rite.

Z-LASER

Anodized Aluminum

The Z-Laser is an anodized aluminum enclosure with a 1 3/4" wide frame. It is available as an overlap fit. This enclosure can be installed on zero-clearance boxes with marble, tile or any non-combustible material up to 5/8" thick.

STANDARD FINISHES – Black, Polished Brass Finish.	
Optional Glass Channel/ Handle Finishes –	Stainless, Antique, or Chrome
Door Styles –	Available with CV2 bi-fold tracked doors or FS2 bi-fold full swing trackless doors
Standard Glass –	1/4" tempered bronze, clear or grey colored glass with lifetime warranty
Glass Options –	Beveled Glass Mirrored Glass: Bronze
OPTIONS	
Mesh Options –	1/8" flattened expanded steel, 25 gauge mesh door (only available in FS2)



Shown in Grey Iron.

SIZING CHART FOR THE Z-LASER

FINISH	MODEL NO.	DOOR STYLE	GLASS	OVERALL FRAME SIZES
Black Polished Brass	Z-Laser	CV2: Bi-fold tracked door FS2: Bi-fold full swing trackless door	Bronze, Clear or Grey	Up to 44" wide by 27" high Up to 50" wide by 31" high For larger sizes and frame widths, contact factory for quote.
OPTIONAL FINISHES:				
BZ – Bronze Iron CU – Copper FTB – Fine Textured Brown GAV – Gold Antique Vein GI – Grey Iron MI – Moss Iron NI – Natural Iron NRST – New Rust OCPR – Old Copper OI – Old Iron SAV – Silver Antique Vein TB – Fine Textured Black TCH – Textured Chestnut TR – Textured Rust				

HOW TO ORDER

- Use custom order form #7 in the separate Price List and completely fill out all information requested.
- Order must be mailed or faxed to Thermo-Rite.

Z-CLASSIC

Solid Brass



Shown in Stainless.

The Z-Classic is a solid brass enclosure with a 1" wide frame. It is available as an inside fit only.

STANDARD FINISHES – Antique, Chrome, Stainless, Polished Brass Finish.

Door Styles – Available with CV2 bi-fold tracked doors or FS2 bi-fold full swing trackless doors

Standard Glass – 1/4" tempered bronze, clear or grey colored glass with lifetime warranty

Glass Options – Beveled Glass
Mirrored Glass: Bronze

OPTIONS

Mesh Options – 1/8" flattened expanded steel, 25 gauge mesh door

SIZING CHART FOR THE Z-CLASSIC

FINISH	MODEL NO.	DOOR STYLE	GLASS	OVERALL FRAME SIZES
Antique Chrome Stainless Polished Brass	Z-Classic	CV2: Bi-fold tracked door FS2: Bi-fold full swing trackless door	Bronze, Clear or Grey	Up to 42" wide by 25" high Up to 48" wide by 29" high For larger sizes and frame widths, contact factory for quote.

HOW TO ORDER

- Use custom order form #7 in the separate Price List and completely fill out all information requested.
- Order must be mailed or faxed to Thermo-Rite.

The Z-Phantom is an anodized aluminum enclosure with thin 1/4" sides and a 3/4" top and bottom frame. It is available as an inside fit only.

Z-PHANTOM

Anodized Aluminum



Shown in Black with Stainless Steel Channel/Handles.

STANDARD FINISHES – Black, Black & Polished, Polished & Black, Polished Brass Finish.	
Optional Glass Channel /Handle Finishes –	Stainless, Antique, or Chrome
Door Styles –	Available with CV2 bi-fold tracked doors or FS2 bi-fold full swing trackless doors
Standard Glass –	1/4" tempered bronze, clear or grey colored glass with lifetime warranty
Glass Options –	Beveled Glass Mirrored Glass: Bronze
OPTIONS	
Mesh Options –	1/8" flattened expanded steel, 25 gauge mesh door (Available with FS2 doors only.)
Frame Inserts – (Top & Bottom only)	Polished, Black, Brushed Silver, Satin

-sizing chart for the z-phantom

FINISH	MODEL NO.	DOOR STYLE	GLASS	OVERALL FRAME SIZES
Polished Brass Black Black & Polished Polished & Black OPTIONAL FINISHES: BZ – Bronze Iron CU – Copper FTB – Fine Textured Brown GAV – Gold Antique Vein GI – Grey Iron MI – Moss Iron NI – Natural Iron NRST – New Rust OCPR – Old Copper OI – Old Iron SAV – Silver Antique Vein TB – Fine Textured Black TCH – Textured Chestnut TR – Textured Rust	Z-Phantom	CV2: Bi-fold tracked door FS2: Bi-fold full swing trackless door	Bronze, Clear or Grey	Up to 42" wide by 28" high Up to 48" wide by 29" high For larger sizes and frame widths, contact factory for quote.

HOW TO ORDER

- Use custom order form #7 in the separate Price List and completely fill out all information requested.
- Order must be mailed or faxed to Thermo-Rite.

Z-HERITAGE

Welded Steel



Shown in Fine Textured Brown.

The Z-Heritage is a 1/4" welded steel plate enclosure with a 1 3/4" wide frame. It is available as an overlap fit. This enclosure can be installed on zero clearance boxes with marble, tile or any non-combustible material up to 5/8" thick.

STANDARD FINISHES – Heritage Colors

Optional Glass Channel/ Handle Finishes –	Polished, Antique, Chrome, Stainless
Door Styles –	Available with CV2 bi-fold tracked doors or FS2 bi-fold full swing trackless doors
Standard Glass –	1/4" tempered bronze, clear or grey colored glass with lifetime warranty
Glass Options –	Beveled Glass Mirrored Glass: Bronze
OPTIONS	
Mesh Options –	1/8" flattened expanded steel, 25 gauge mesh door (only available in FS2)
Frame Options –	Laser cut frame

SIZING CHART FOR THE Z-HERITAGE

FINISH	MODEL NO.	DOOR STYLE	GLASS	OVERALL FRAME SIZES
BZ – Bronze Iron CU – Copper FTB – Fine Textured Brown GAV – Gold Antique Vein GI – Grey Iron MI – Moss Iron NI – Natural Iron NRST – New Rust OCPR – Old Copper OI – Old Iron SAV – Silver Antique Vein TB – Fine Textured Black TCH – Textured Chestnut TR – Textured Rust	Z-Heritage	CV2: Bi-fold tracked door FS2: Bi-fold full swing trackless door	Bronze, Clear or Grey	Up to 44" wide by 27" high Up to 50" wide by 31" high For larger sizes and frame widths, contact factory for quote.

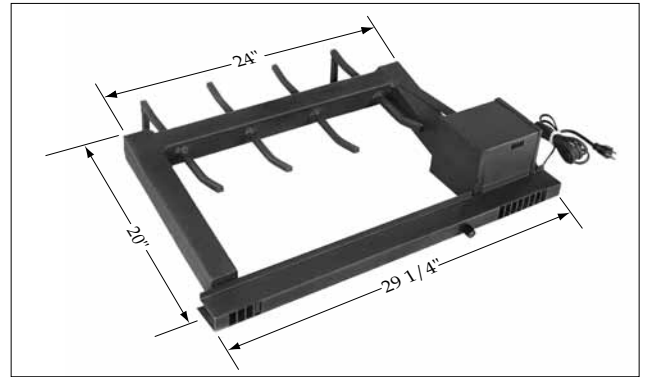
HOW TO ORDER

- Use custom order form #7 in the separate Price List and completely fill out all information requested.
- Order must be mailed or faxed to Thermo-Rite.

GAS LOG HEATER

Heater Discount Applies

- 25,000 BTU's of Heat Per Hour.
- 60 CFM Blower/Low Profile Motor Box.
- Thermostatically Controlled.
- Turns On Automatically at 110° F and off at 90° F.
- Steel Tubing Warranted for 2 years.
- Holds 16" to 30" Gas Logs (Most mfgs)
- Cord Length equals 8 ft.
- Can only be used with a sand pan type burner.



SIZING CHART FOR GAS LOG HEATER

MODEL	WIDTH	DEPTH	WEIGHT
GL-2420	24"	20"	28#
GL-2017	20"	17"	27#
GL-2420LH	Left Hand Motor		28#
GL-2017LH	Left Hand Motor		27#

SIZING CHART FOR GAS LOG HEATER TRIM BAR

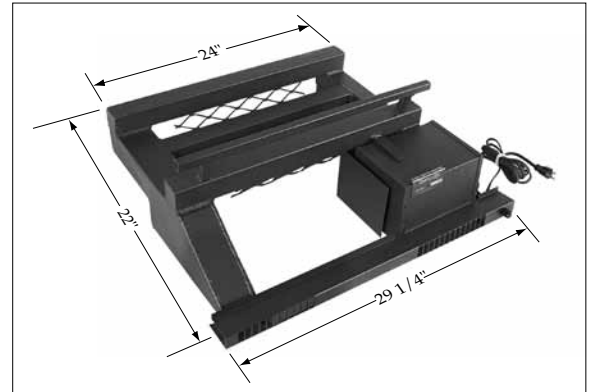
MODEL	FINISH	SIZE
GL-54-A	Antique 3 pc.	54" x 1 3/8"
GL-54-B	Polished 3 pc.	54" x 1 3/8"
GL-54-ALH Left Hand	Antique 3 pc.	54" x 1 3/8"
GL-54-BLH Left Hand	Polished 3 pc.	54" x 1 3/8"

Left hand motor Gas Log Heaters require special left hand trim bar

COZY GRATE HEATER

Heater Discount Applies

- 40,000 BTU'S of Heat Per Hour
 - 100 CFM Blower (variable speed)
 - Rheostat and Thermostat Controlled
 - Steel Tubing Warranted for 3 Years.
 - Turns On Automatically at 110° F and Off at 90° F.
 - All Electrical Components are U.L. Approved & 1 Year Warranty.
- All units come with front rail 1 3/8" high and 51 1/4" wide. Glass door sits on top of front rail and is elevated 1 3/8". If your door is an inside fit, you must have 1" extra depth to accommodate the depth of the grate heater. On left hand motor models the right side of the heater is solid steel (no opening for gas line).



SIZING CHART FOR COZY GRATE HEATER

MODEL	WIDTH	DEPTH	WEIGHT
TR-22	24"	22"	57#
TR-20	22"	20"	55#
TR-17	20"	17"	53#
TR-22LH	Left Hand Motor		57#
TR-20LH	Left Hand Motor		55#
TR-17LH	Left Hand Motor		53#

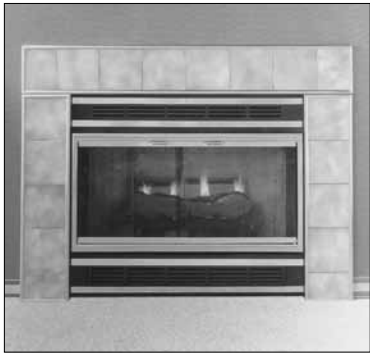
SIZING CHART FOR COZY GRATE HEATER TRIM BAR

MODEL	FINISH	SIZE
TR-54-A	Antique 3 pc.	54" x 1 3/8"
TR-54-B	Polished 3 pc.	54" x 1 3/8"
TR-54-BB	Black 3 pc.	54" x 1 3/8"
TR-51POL	Polished 1 pc.	51" x 1 3/8"
TR-51ANT	Antique 1 pc.	51" x 1 3/8"
TR-51BLK	Black 1 pc.	51" x 1 3/8"
TR-54SAT*	Satin 3 pc.	54" x 1 3/8"
TR-54CHR*	Chrome 3 pc.	54" x 1 3/8"

STOCK COZY OPTIONS
Rear log guard (# HGH-RLG)
REPLACEMENT PARTS
Rheostat (# TSRV01-510)
Thermostat (# TSRV01-531)
Motor for Grate Heater (# TSRV01-500)
Cord
Extender (12" with lip)

*Models with an asterisk are special order. The TR-54 Trim Bar comes as 5 pieces, but you only use 3 pieces. The TR-51 Trim Bar is one piece, 51" long. All Trim Bars fit either right- or left-hand motor heaters.

**Additional painted colors are available. Contact factory for color selection



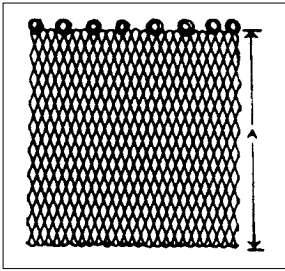
Z-STRIPS™

A Z-Strip is a piece of solid brass used to decorate a zero-clearance fireplace. Our Z-Strip has a full-length magnetic strip on the back for easy installation.

SIZING CHART FOR GAS LOG HEATER

MODEL	QTY	FINISH	SIZE
ZS36POL	4	Polished	11/16" x 36"
ZS42POL	4	Polished	11/16" x 42"
ZS36ANT	4	Antique	11/16" x 36"
ZS42ANT	4	Antique	11/16" x 42"

MESH CURTAIN REPLACEMENT PANELS



All Mesh Curtain Panels are 24" Wide

- All Mesh Curtain Panels (24" wide)
- Heavy 19 gauge wire
- Finished with rust preventative, high temp black enamel
- Shipped via UPS
- Includes two (2) mesh panels with pull handles and rings
- Larger sizes are available – Contact factory for pricing

HOW TO SELECT YOUR MESH CURTAIN SET

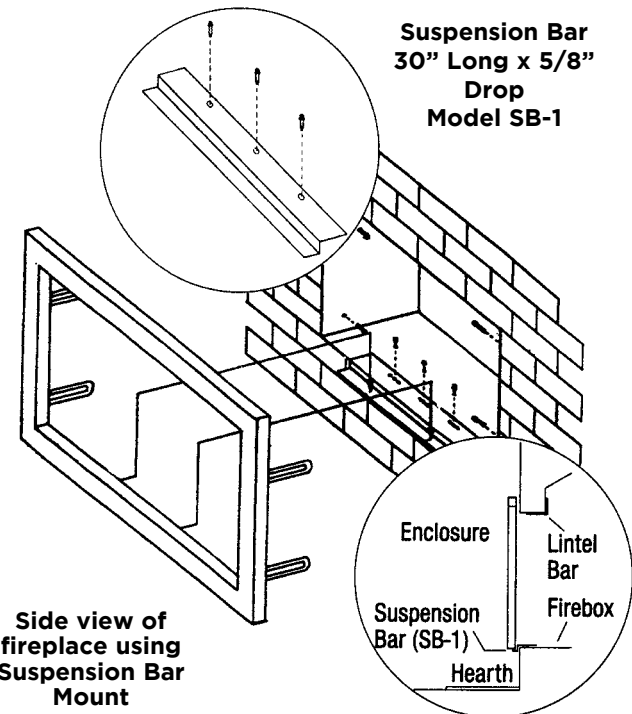
Measure the height of your present mesh curtain set (A). Order the stock no. based on chart below

ORDER STOCK NUMBER	MESH PANEL HEIGHT	MESH PANEL HEIGHT INCLUDING 1/2" RINGS	ORDER STOCK NUMBER	MESH PANEL HEIGHT	MESH PANEL HEIGHT INCLUDING 1/2" RINGS
M2417	16 1/2"	17"	M2424	23 1/2"	24"
M2418	17 1/2"	18"	M2425	24 1/2"	25"
M2419	18 1/2"	19"	M2426	25 1/2"	26"
M2420	19 1/2"	20"	M2427	26 1/2"	27"
M2421	20 1/2"	21"	M2428	27 1/2"	28"
M2422	21 1/2"	22"	M2429	28 1/2"	29"
M2423	22 1/2"	23"	M2430	29 1/2"	30"

SUSPENSION BAR

INSTALL-RITE DOOR KIT

For Stone & Rough-Faced Fireplace Door Installations



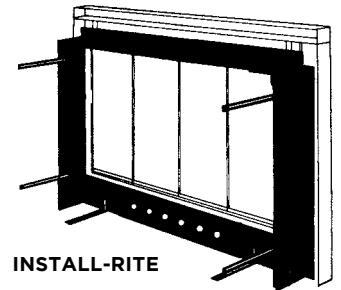
**Suspension Bar
30" Long x 5/8"
Drop
Model SB-1**

**Side view of
fireplace using
Suspension Bar
Mount**

Our Install-Rite door kit will help you to increase your standard door sales immediately. Install-Rite is for those with hard to fit stone and rough-faced fireplaces – custom doors are no longer their only alternative.

You can now offer your customers genuine solid brass Thermo-Rite doors with two coats of baked on lacquer – Pricing on Thermo-Rite stock doors is always less than all custom doors. A 1/4" to 1/2" overlap is not a problem with Install-Rite.

*Install-Rite allows you to mortar in a door with ease.
Delivery to your customers is a matter of days - not 6 to 12 weeks.
It creates cash flow for you instantly.*



INSTALL-RITE

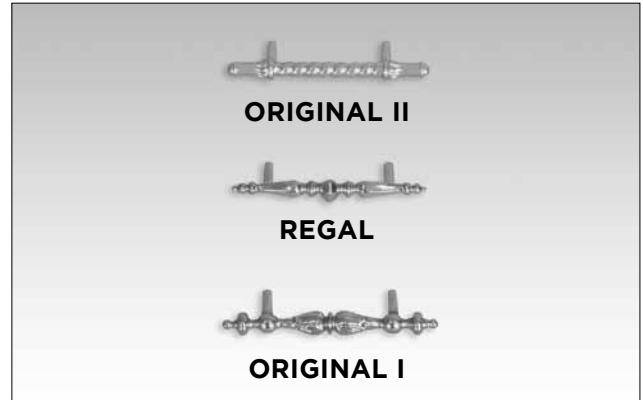
- Fits openings up to 44" wide x 32" high. You can cut to the exact size. Extenders are available for larger sizes.
- Fits Original, Regal, Classic, Cameo, Prism, AirPrism, Park Avenue, Décor and Reserve.
- For inside or overlap fit
- Can ship UPS®
- Finished in black. Comes complete with hardware and instructions.

HANDLES

Optional handles are available in 3 styles and various finishes and can be added to any Thermo-Rite enclosure.

SIZING CHART FOR HANDLES

PART NUMBER	STYLE	FINISH
20015	Original II	Antique
20019	Regal	Polished
20021	Regal	Black
20236	Original I	Polished
20237	Original I	Antique



HOW TO ORDER • Order using the part# provided

CUSTOM RISER BARS

Custom riser bars are available in solid brass. Riser bars may also be used as top caps; however, you must indicate accordingly when ordering as the mounting holes must be punched. Custom riser bars/top caps allow you to use stock enclosures when you are able to overlap the sides, but must fit under a projecting row of brick.

HOW TO ORDER

- Use custom order form #5 in the separate Price List and completely fill out all information requested.
- Order must be mailed or faxed to Thermo-Rite.



MESH OPTION

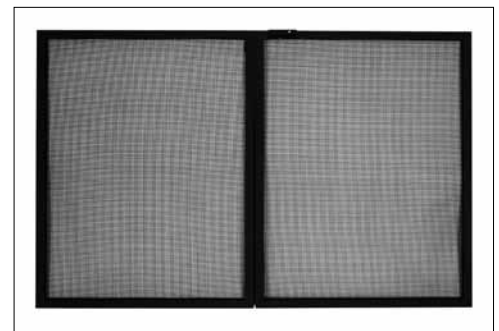
Thermo-Rite enclosures are available with optional heavy 19 gauge mesh curtains or 1/8" flattened expanded steel, 25 gauge mesh door.

HOW TO ORDER

- Use custom order form #8 in the separate Price List and completely fill out all information requested.
- Order must be mailed or faxed to Thermo-Rite.



MESH CURTAIN



MESH DOORS

THERMO-RITE MANUFACTURING SHOWROOM DISPLAY BOARD

Enhance your Thermo-Rite Manufacturing Fireplace Enclosures showroom displays by adding a Display Board.

EACH DISPLAY BOARD OFFERS THE FOLLOWING FEATURES:

• FINISHED CORNERS

Four finished corners depict the Z-Decor in Black; Décor in Bronze Iron; Heritage in Natural Iron; and, Cameo in Pewter.

• DOOR HANDLES

Six (6) handles are shown in Antique, Black, Stainless, Champagne Nickel, Pewter and Polished Brass finishes.

• GLASS OPTIONS

Bronze glass, clear beveled glass and grey glass are high-lighted in the center of the board.

• GLASS CHANNELS

The glass listed above is shown in glass channels with Black, Champagne Nickel, Bronze, Pewter, Stainless, and Antique finishes.

• DÉCOR INSERTS

Chained together are the insert finishes available for the Décor doors. These finishes are: Black, Brushed Silver, Polished Brass, Satin Brass, Antique Brass, Copper, Hammered Black and Hammered Brass.

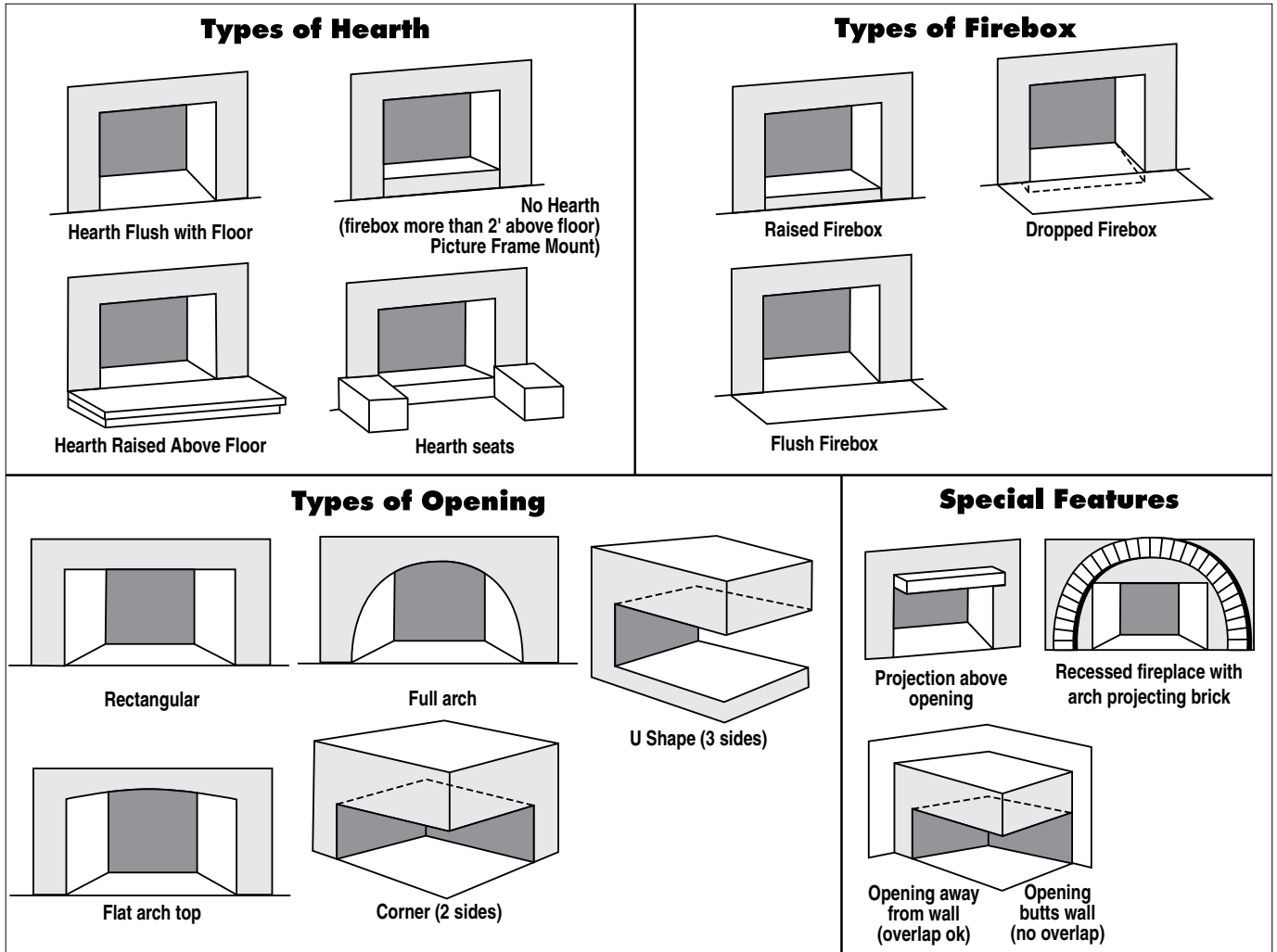
• Z-DÉCOR INSERTS

Also provided on a chain are the insert finishes available for Z-Décor inserts. They are: Brushed Silver, Polished Silver, Black and Satin Brass finishes.



These Display Boards are 23 1/2" wide and 31 1/8" high and, can be wall mounted or make a quality statement shown on an easel frame.

Please allow for ten (10) working days for delivery.



THERMO-RITE LIMITED WARRANTY POLICY

Thermo-Rite warrants all new glass fireplace enclosures to be free from defects in material and workmanship for a period of five (5) years from the ultimate sale or installation if performed by the dealer. The warranty is void if the damage is due to improper installation or improper operation.

Thermo-Rite warrants tempered glass a lifetime to the original owner. Commercial applications and CVI glass wider than 16 3/4" are excluded. If the glass should break, Thermo-Rite will supply panels free-of-charge except for the UPS shipping charges.

Should the customer or dealer want Thermo-Rite to install the glass, a fee of \$15.00 plus freight both ways will

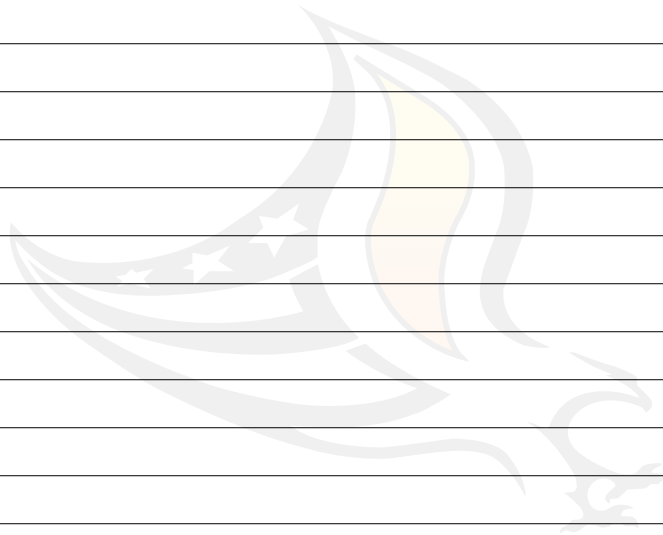
be charged for each piece. In this case, a Return Goods Authorization (RGA) must be issued. To receive an RGA form, simply contact an inside sales correspondents by calling 330.633.8680.

To receive replacement glass, customer or dealer must supply Thermo-Rite with a copy of proof of purchase date to receive a no-charge invoice on the glass.

Please Note: To ensure accuracy of your order, kindly inspect the door(s) upon receipt. Thermo-Rite shall not be held responsible for any reason after a period of 90 days from date of receipt of order.



Thermo-Rite®



Thermo-Rite®

CELEBRITY

Anodized Aluminum | Shown in Fine Textured Black | Page 4



CHALET

Anodized Aluminum | Shown in Anodized Black | Page 5



RESERVE

Painted Aluminum | Shown in Grey Iron | Page 6



NORMANDY

Welded Aluminum | Shown in Fine Textured Black | Page 17



TUSCAN

Chateau Collection: Steel | Shown in Old Copper | Page 18



DIRECT-VENT MESH

Accessory Mesh Door | Shown in Black | Page 19



OUTDOOR PATIO DOOR

Welded Aluminum | Shown in Fine Textured Black | Page 20



SPECIAL "Z"

Anodized Aluminum | Shown in Black | Page 31

